

7FBR10.13 7FBR15.18



7FBR15

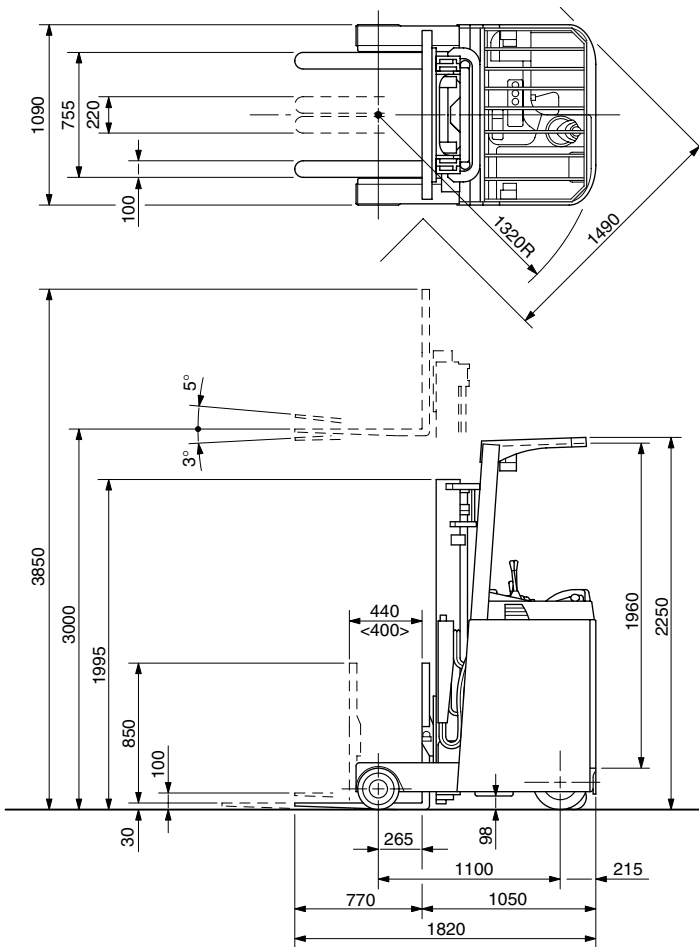
MAIN VEHICLE SPECIFICATIONS

| | | | TOYOTA | TOYOTA | TOYOTA | TOYOTA | | |
|--------------|---|-----------------------------------|-------------------|---------------------|---------------------|---------------------|-----------|-----|
| | | | 7FBR10 | 7FBR13 | 7FBR15 | 7FBR18 | | |
| 1 | Manufacturer | | TOYOTA | TOYOTA | TOYOTA | TOYOTA | | |
| 2 | Model | | 7FBR10 | 7FBR13 | 7FBR15 | 7FBR18 | | |
| 3 | Load Capacity | kg | 1000 | 1250 | 1500 | 1800 | | |
| 4 | Load Center | mm | 500 | 500 | 500 | 500 | | |
| 5 | Power Type | | Battery | Battery | Battery | Battery | | |
| 6 | Operator Position | | Stand On | Stand On | Stand On | Stand On | | |
| 7 | Tire Type | Front/Rear | Cushion | Cushion | Cushion | Cushion | | |
| 8 | Wheels (x = driven) | Front/Rear | 2/1x+2 | 2/1x+2 | 2/1x+2 | 2/1x+2 | | |
| 9 | Maximum Fork Height (MFH) | mm | 3000 | 3000 | 3000 | 3000 | | |
| 10 | Free Lift | mm | 100 | 100 | 105 | 105 | | |
| 13 | Fork Size | T x W x L | 30x100x770 | 30x100x850 | 35x100x920 | 35x100x920 | | |
| | Fork Spread (Outside) | MAX./MIN. | 755/220 | 755/220 | 755/220 | 755/220 | | |
| 14 | Tilt Range | Up/Down | deg 5/3 | deg 5/3 | deg 5/3 | deg 5/3 | | |
| | Overall Length | mm | 1820 | 1900 | 2075 | 2075 | | |
| 15 | Length to Fork Face | mm | 1050 | 1050 | 1155 | 1155 | | |
| | Width Between Reach Legs | mm | 755 | 755 | 755 | 755 | | |
| | Reach Stroke | mm | 440 | 590 | 585 | 735 | | |
| 16 | Overall Width | mm | 1090 | 1090 | 1090 | 1090 | | |
| 17 | Mast Lowered Height | mm | 1995 | 1995 | 1995 | 1995 | | |
| 18 | Mast Extended Height | mm | 3850 | 3850 | 3850 | 3850 | | |
| 19 | Overhead Guard Height | mm | 2250 | 2250 | 2250 | 2250 | | |
| 21 | Turning Radius (Outside) | mm | 1320 | 1470 | 1560 | 1710 | | |
| 22 | Load Distance (Centerline of front axle to front face of forks) | mm | 265 | 415 | 410 | 560 | | |
| | Rear Overhang | mm | 215 | 215 | 215 | 215 | | |
| | Right Angle Stacking Aisle Width (With pallets 1100x1100) * | mm | 2320 | 2350 | 2440 | 2480 | | |
| | Intersecting Aisle Width | mm | 1490 | 1570 | 1620 | 1690 | | |
| 24 | Speeds | Travel, Max. (FWD/RVS) | Full Load | km/h | 9.5 | 9.5 | 9.5 | |
| | | | No Load | km/h | 10.5 | 10.5 | 10.5 | |
| | | Lifting | Full Load | mm/sec | 350 | 320 | 310 | 300 |
| | | | No Load | mm/sec | 540 | 540 | 540 | 540 |
| 26 | Lowering | Full Load | mm/sec | 500 | 500 | 500 | 500 | |
| | | No Load | mm/sec | 550 | 550 | 550 | 550 | |
| 27 | Traction | Full Load/ No Load | 3-Minute Ratings | N | 4500/5600 | 5300/6000 | 6000/6300 | |
| | | | 5-Minute Ratings | N | 4500/5600 | 5300/6000 | 6000/6300 | |
| | | | 60-Minute Ratings | N | 2900/3100 | 2800/3100 | 2400/2700 | |
| 29 | Gradeability ** | Full Load/ No Load | 3-Minute Ratings | % (tanθ) | 19/32 | 18/31 | 17/30 | |
| | | | 5-Minute Ratings | % (tanθ) | 19/32 | 18/31 | 17/30 | |
| | | | 60-Minute Ratings | % (tanθ) | 12/20 | 11/19 | 8/15 | |
| 32 | Total Weight | Without Battery | kg | 1680 | 1700 | 1730 | | |
| 33 | Weight Distribution (With STD Battery) | Full Load (Full Reach) | Front | kg | 2560 | 2850 | 3230 | |
| | | | Rear | kg | 470 | 450 | 460 | |
| 34 | | No Load (No Reach) | Front | kg | 760 | 690 | 760 | |
| | | | Rear | kg | 1270 | 1360 | 1430 | |
| 35 | | Number | Front/Rear | | 2/1+2 | 2/1+2 | | |
| 36 | Tires | Size | Front, Load | | 260x120 | 260x120 | | |
| Rear, Drive | | | | 330x145 | 330x145 | | | |
| Rear, Caster | | | | 150x80 | 150x80 | | | |
| 38 | Wheelbase | | mm | 1100 | 1250 | 1350 | | |
| 39 | Tread | Front | mm | 970 | 970 | 970 | | |
| | | Rear | mm | 650 | 650 | 650 | | |
| | Backrest Height | | mm | 850 | 850 | 850 | | |
| | Overhead Guard Clearance | | mm | 1960 | 1960 | 1960 | | |
| | Floor Height | | mm | 250 | 250 | 250 | | |
| 40 | Underclearance *** | Min. <Suspension> | mm | 70 (No Load) | 70 (No Load) | 70 (No Load) | | |
| 41 | | Center of Wheelbase | mm | 98 (No Load) | 98 (No Load) | 98 (No Load) | | |
| 42 | Brake | Front | | Hidraulic | Hidraulic | Hidraulic | | |
| | | Service (Foot) | | Mechanical | Mechanical | Mechanical | | |
| | | Parking | | Mechanical | Mechanical | Mechanical | | |
| 43 | | | | Mechanical | Mechanical | Mechanical | | |
| | | | | Mechanical | Mechanical | Mechanical | | |
| 45 | Battery | Voltage/Capacity (5-hour ratings) | STD | V/AH | 48/201 | 48/201 | | |
| | | High | V/AH | 48/225 | 48/225 | 48/280 | | |
| 46 | | Weight (STD Capacity Type) | kg | 350 | 350 | 465 | | |
| 47 | | Drive | kW | 4.9 | 4.9 | 4.9 | | |
| 48 | Electric Motors | Load Handling | kW | 6.5 | 6.5 | 8.0 | | |
| | | Power Steering | kW | 0.26 | 0.26 | 0.26 | | |
| 54 | Control Type | Drive | | Transistor inverter | Transistor inverter | Transistor inverter | | |
| | | Load Handling | | Transistor chopper | Transistor chopper | Transistor chopper | | |
| | | Power Steering | | Transistor chopper | Transistor chopper | Transistor chopper | | |
| 57 | Operating Pressure | For Attachments | MPa (psi) | 12.2 (1800) | 12.2 (1800) | 16.7 (2400) | | |

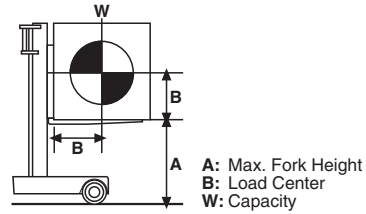
NOTE: * Safety clearance of 200 mm not included (general application). ** Computed values.
*** The underclearance value is valid under the following conditions: no reach, 500 mm load center and the suspension spring in correct adjustment. Underclearance will be increased slightly under the full reach condition.

DIMENSIONAL DRAWINGS
7FBR10

Unit: mm



RATED CAPACITIES
7FBR10



V, SV, FV Mast Unit: kg (W)

| A (mm) | 4000 | 4500 | 5000 | |
|--------|------|------|------|-----|
| 500 | 1000 | 950 | 900 | |
| 600 | 870 | 830 | 780 | |
| B (mm) | 700 | 770 | 730 | 690 |
| 800 | 690 | 660 | 620 | |
| 900 | 630 | 600 | 570 | |
| 1000 | 570 | 550 | 520 | |

FSV Mast Unit: kg (W)

| A (mm) | 4000 | 4300 | 4700 | 5000 | 5500 | 6000 | |
|--------|------|------|------|------|------|------|-----|
| 500 | 1000 | 950 | 900 | 850 | 700 | 550 | |
| 600 | 870 | 830 | 780 | 740 | 610 | 480 | |
| B (mm) | 700 | 770 | 730 | 690 | 660 | 540 | 420 |
| 800 | 690 | 660 | 620 | 590 | 480 | 380 | |
| 900 | 630 | 600 | 570 | 530 | 440 | 350 | |
| 1000 | 570 | 550 | 520 | 490 | 400 | 320 | |

REACH LEGS HEIGHT

7FBR10 275

UNDERCLEARANCE

Center of Wheelbase (NoLoad) 98
Rear Frame (No Load) 90

NOTE: < > is data for V and SV mast at a maximum fork height of 2700 mm or less.

SPECIAL MAST

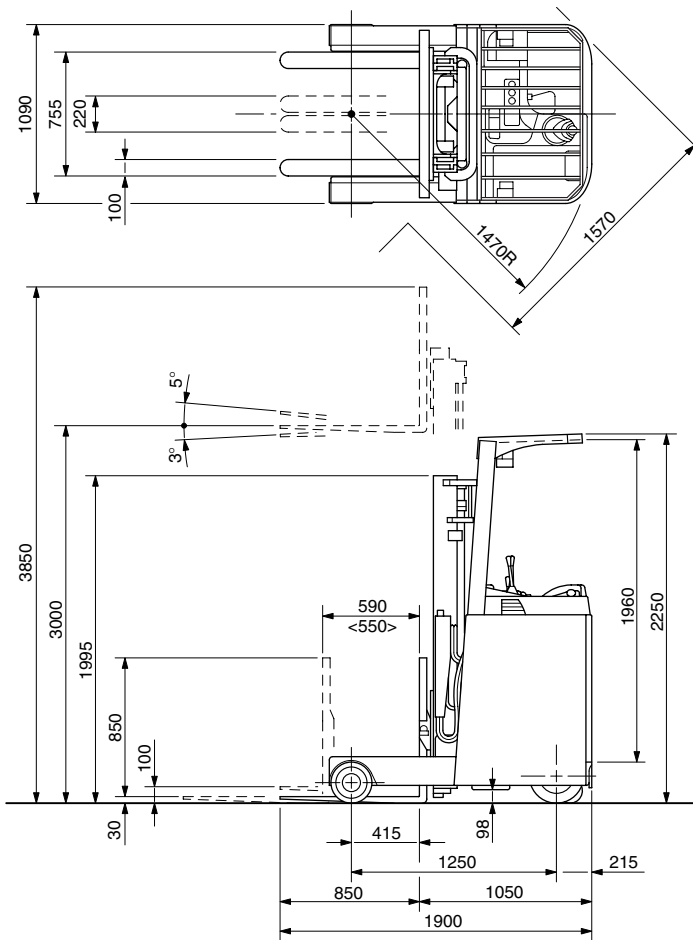
Wide Visible Mast (SV), Wide Visible Full-Free Lift Two-Stage Mast (FV),
Wide Visible Full-Free Lift Three-Stage Mast (FSV)

| Model | | | 7FBR10 | | | |
|--|----------|-----------|-----------|------|------|-----|
| Type of Mast | | | SV | FV | FSV | |
| PERFORMANCE | | | | | | |
| Speeds | Lifting | Full Load | mm/sec | 350 | 290 | 290 |
| | | No Load | mm/sec | 540 | 480 | 480 |
| | Lowering | Full Load | mm/sec | 500 | 450 | 450 |
| | | No Load | mm/sec | 550 | 400 | 420 |
| Reach Stroke | | mm | 440 <400> | 415 | 370 | |
| DIMENSIONS | | | | | | |
| Load Distance (Centerline of front axle to front face of forks) | | mm | 265 | 240 | 195 | |
| Overall Length (to Top of Forks) | | mm | 1820 | 1845 | 1890 | |
| Overall Width | | mm | 1090 | 1090 | 1090 | |
| Turning Radius (Outside) | | mm | 1320 | 1320 | 1320 | |
| Intersecting Aisle Width | | mm | 1490 | 1490 | 1490 | |

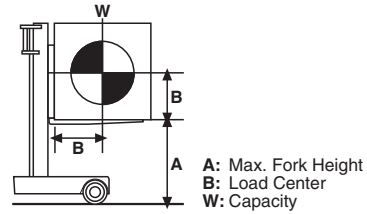
NOTE: < > is data for V and SV mast at a maximum fork height of 2700 mm or less.

DIMENSIONAL DRAWINGS
7FBR13

Unit: mm



RATED CAPACITIES
7FBR13



V, SV, FV Mast Unit: kg (W)

| A (mm) | 4000 | 4500 | 5000 | |
|------------------|------|------|------|-----|
| 500 | 1250 | 1150 | 1050 | |
| 600 | 1090 | 1000 | 910 | |
| B (mm) | 700 | 960 | 890 | 810 |
| | 800 | 870 | 800 | 730 |
| | 900 | 780 | 720 | 660 |
| | 1000 | 720 | 660 | 600 |

FSV Mast Unit: kg (W)

| A (mm) | 4000 | 4300 | 4700 | 5000 | 5500 | 6000 | |
|------------------|------|------|------|------|------|------|-----|
| 500 | 1250 | 1200 | 1150 | 1050 | 850 | 650 | |
| 600 | 1090 | 1050 | 1000 | 910 | 740 | 570 | |
| B (mm) | 700 | 960 | 930 | 890 | 810 | 660 | 500 |
| | 800 | 870 | 830 | 800 | 730 | 590 | 450 |
| | 900 | 780 | 750 | 720 | 660 | 530 | 410 |
| | 1000 | 720 | 690 | 660 | 600 | 490 | 370 |

REACH LEGS HEIGHT

7FBR13 275

UNDERCLEARANCE

Center of Wheelbase (No Load) 98
Rear Frame (No Load) 90

NOTE: < > is data for V and SV mast at a maximum fork height of 2700 mm or less.

SPECIAL MAST

Wide Visible Mast (SV), Wide Visible Full-Free Lift Two-Stage Mast (FV),
Wide Visible Full-Free Lift Three-Stage Mast (FSV)

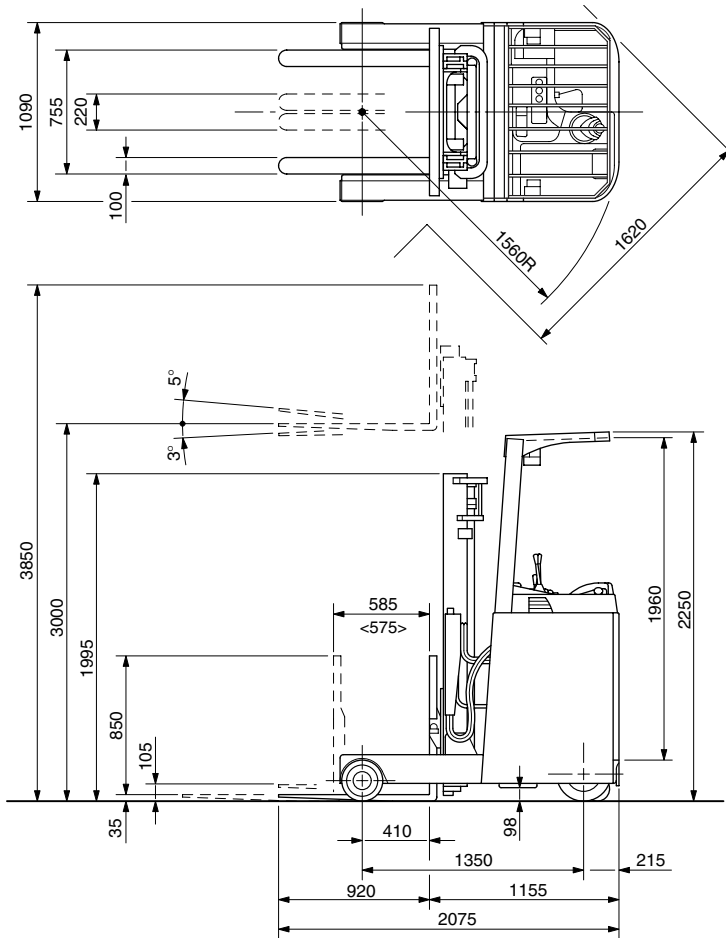
| Model | | | | 7FBR13 | | |
|--|----------|-----------|--------|-----------|------|------|
| | | | | SV | FV | FSV |
| Type of Mast | | | | SV | FV | FSV |
| PERFORMANCE | | | | | | |
| Speeds | Lifting | Full Load | mm/sec | 320 | 270 | 270 |
| | | No Load | mm/sec | 540 | 480 | 480 |
| | Lowering | Full Load | mm/sec | 500 | 450 | 450 |
| | | No Load | mm/sec | 550 | 400 | 550 |
| Reach Stroke | | | mm | 590 <550> | 565 | 520 |
| DIMENSIONS | | | | | | |
| Load Distance (Centerline of front axle to front face of forks) | | | mm | 415 | 390 | 345 |
| Overall Length (to Top of Forks) | | | mm | 1900 | 1925 | 1970 |
| Overall Width | | | mm | 1090 | 1090 | 1090 |
| Turning Radius (Outside) | | | mm | 1470 | 1470 | 1470 |
| Intersecting Aisle Width | | | mm | 1570 | 1570 | 1570 |

NOTE: < > is data for V and SV mast at a maximum fork height of 2700 mm or less.

DIMENSIONAL DRAWINGS

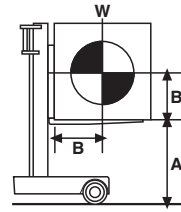
7FBR15

Unit: mm



RATED CAPACITIES

7FBR15



A: Max. Fork Height
B: Load Center
W: Capacity

V, SV, FV Mast

Unit: kg (W)

| A (mm) | 4000 | 4500 | 5000 | |
|--------|------|------|------|------|
| 500 | 1500 | 1450 | 1400 | |
| 600 | 1310 | 1260 | 1220 | |
| B (mm) | 700 | 1160 | 1120 | 1080 |
| 800 | 1040 | 1000 | 970 | |
| 900 | 940 | 910 | 880 | |
| 1000 | 860 | 830 | 800 | |

FSV Mast

Unit: kg (W)

| A (mm) | 4300 | 4700 | 5000 | 5500 | 6000 | |
|--------|------|------|------|------|------|-----|
| 500 | 1500 | 1450 | 1400 | 1150 | 900 | |
| 600 | 1310 | 1260 | 1220 | 1000 | 780 | |
| B (mm) | 700 | 1160 | 1120 | 1080 | 890 | 690 |
| 800 | 1040 | 1000 | 970 | 800 | 620 | |
| 900 | 940 | 910 | 880 | 720 | 570 | |
| 1000 | 860 | 830 | 800 | 660 | 520 | |

REACH LEGS HEIGHT

7FBR15 275

UNDERCLEARANCE

Center of Wheelbase (No Load) 98
Rear Frame (No Load) 90

NOTE: < > is data for V and SV mast at a side pull-out battery model.

SPECIAL MAST

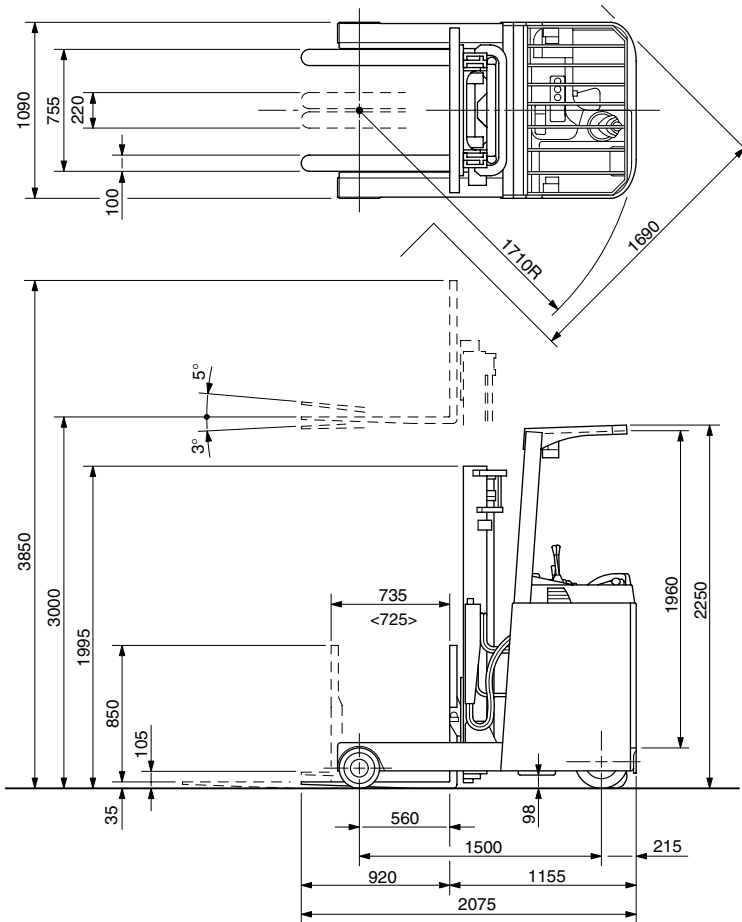
Wide Visible Mast (SV), Wide Visible Full-Free Lift Two-Stage Mast (FV),
Wide Visible Full-Free Lift Three-Stage Mast (FSV)

| Model | | 7FBR15 | | | | |
|--|----------|-----------|-----------|------|-----|-----|
| Type of Mast | | SV | FV | FSV | | |
| PERFORMANCE | | | | | | |
| Speeds | Lifting | Full Load | mm/sec | 310 | 280 | 280 |
| | | No Load | mm/sec | 540 | 480 | 480 |
| | Lowering | Full Load | mm/sec | 500 | 450 | 450 |
| | | No Load | mm/sec | 550 | 400 | 550 |
| Reach Stroke | | mm | 585 <575> | 560 | 510 | |
| DIMENSIONS | | | | | | |
| Load Distance (Centerline of front axle to front face of forks) | mm | 410 | 385 | 335 | | |
| Overall Length (to Top of Forks) | mm | 2075 | 2100 | 2150 | | |
| Overall Width | mm | 1090 | 1090 | 1090 | | |
| Turning Radius (Outside) | mm | 1560 | 1560 | 1560 | | |
| Intersecting Aisle Width | mm | 1620 | 1620 | 1620 | | |

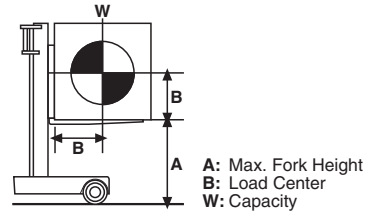
NOTE: < > is data for V and SV mast at a side pull-out battery model.

DIMENSIONAL DRAWINGS
7FBR18

Unit: mm



RATED CAPACITIES
7FBR18



V, SV, FV Mast Unit: kg (W)

| A (mm) | 4000 | 4500 | 5000 | |
|------------------|------|------|------|------|
| 500 | 1800 | 1700 | 1550 | |
| 600 | 1570 | 1480 | 1350 | |
| B (mm) | 700 | 1390 | 1310 | 1200 |
| | 800 | 1250 | 1180 | 1070 |
| | 900 | 1130 | 1070 | 970 |
| | 1000 | 1030 | 980 | 890 |

FSV Mast Unit: kg (W)

| A (mm) | 4000 | 4300 | 4700 | 5000 | 5500 | 6000 | |
|------------------|------|------|------|------|------|------|-----|
| 500 | 1800 | 1750 | 1650 | 1550 | 1350 | 1050 | |
| 600 | 1570 | 1520 | 1440 | 1350 | 1180 | 910 | |
| B (mm) | 700 | 1390 | 1350 | 1270 | 1200 | 1040 | 810 |
| | 800 | 1250 | 1210 | 1140 | 1070 | 930 | 730 |
| | 900 | 1130 | 1100 | 1040 | 970 | 850 | 660 |
| | 1000 | 1030 | 1010 | 950 | 890 | 780 | 600 |

REACH LEGS HEIGHT

7FBR18 275

UNDERCLEARANCE

Center of Wheelbase (Full Load) 98
Rear Frame (Full Load) 90

NOTE: < > is data for V and SV mast at a side pull-out battery model.

SPECIAL MAST

Wide Visible Mast (SV), Wide Visible Full-Free Lift Two-Stage Mast (FV),
Wide Visible Full-Free Lift Three-Stage Mast (FSV)

| Model | | | 7FBR18 | | | |
|--|----------|-----------|-----------|------|------|-----|
| Type of Mast | | | SV | FV | FSV | |
| PERFORMANCE | | | | | | |
| Speeds | Lifting | Full Load | mm/sec | 300 | 270 | 270 |
| | | No Load | mm/sec | 540 | 480 | 480 |
| | Lowering | Full Load | mm/sec | 500 | 450 | 450 |
| | | No Load | mm/sec | 550 | 400 | 550 |
| Reach Stroke | | mm | 735 <725> | 660 | 710 | |
| DIMENSIONS | | | | | | |
| Load Distance (Centerline of front axle to front face of forks) | mm | | 560 | 535 | 485 | |
| Overall Length (to Top of Forks) | mm | | 2075 | 2100 | 2150 | |
| Overall Width | mm | | 1090 | 1090 | 1090 | |
| Turning Radius (Outside) | mm | | 1710 | 1710 | 1710 | |
| Intersecting Aisle Width | mm | | 1690 | 1690 | 1690 | |

NOTE: < > is data for V and SV mast at a side pull-out battery model.

MAST SPECIFICATIONS & RATED CAPACITIES

Wide Visible Mast (V), Wide Visible Mast (SV), Wide Visible Full-Free Lift Two-Stage Mast (FV),
Wide Visible Full-Free Lift Three-Stage Mast (FSV)

7FBR10

| Mast Type | Maximum Fork Height | Overall Mast Height | | | Free Lift | | Tilt Range | | Load Capacity at 500 mm LC |
|-----------|---------------------|---------------------|-----------------------|-----------------------------|-----------------------|-----------------------------|------------|----|----------------------------|
| | | Lowered | Extended | | Without Load Backrest | With Standard Load Backrest | Down | Up | |
| | | | Without Load Backrest | With Standard Load Backrest | | | | | |
| mm | mm | mm | mm | mm | mm | deg | deg | kg | |
| V | 2500 | 1745 | — | 3350 | — | 100 | 3 | 5 | 1000 |
| | 2700 | 1845 | — | 3550 | — | 100 | 3 | 5 | 1000 |
| | 3000 | 1995 | — | 3850 | — | 100 | 3 | 5 | 1000 |
| | 3300 | 2145 | — | 4150 | — | 100 | 3 | 5 | 1000 |
| | 3500 | 2245 | — | 4350 | — | 100 | 3 | 5 | 1000 |
| | 3700 | 2345 | — | 4550 | — | 100 | 3 | 5 | 1000 |
| | 4000 | 2495 | — | 4850 | — | 100 | 3 | 5 | 1000 |
| | 5000 | 2845 | — | 5350 | — | 100 | 3 | 5 | 950 |
| SV | 2500 | 1745 | — | 3350 | — | 410 | 3 | 5 | 1000 |
| | 2700 | 1845 | — | 3550 | — | 410 | 3 | 5 | 1000 |
| | 3000 | 1995 | — | 3850 | — | 410 | 3 | 5 | 1000 |
| | 3300 | 2145 | — | 4150 | — | 410 | 3 | 5 | 1000 |
| | 3500 | 2245 | — | 4350 | — | 410 | 3 | 5 | 1000 |
| | 3700 | 2345 | — | 4550 | — | 410 | 3 | 5 | 1000 |
| | 4000 | 2495 | — | 4850 | — | 410 | 3 | 5 | 1000 |
| | 5000 | 2845 | — | 5350 | — | 410 | 3 | 5 | 950 |
| FV | 2500 | 1745 | 3115 | 3350 | 945 | 890 | 3 | 5 | 1000 |
| | 2700 | 1845 | 3315 | 3550 | 1045 | 990 | 3 | 5 | 1000 |
| | 3000 | 1995 | 3615 | 3850 | 1195 | 1140 | 3 | 5 | 1000 |
| | 3300 | 2145 | 3915 | 4150 | 1345 | 1290 | 3 | 5 | 1000 |
| | 3500 | 2245 | 4115 | 4350 | 1445 | 1390 | 3 | 5 | 1000 |
| | 3700 | 2345 | 4315 | 4550 | 1545 | 1490 | 3 | 5 | 1000 |
| | 4000 | 2495 | 4615 | 4850 | 1695 | 1640 | 3 | 5 | 1000 |
| | FSV | 3700 | 1795 | — | 4550 | — | 940 | 3 | 5 |
| 4000 | | 1895 | — | 4850 | — | 1040 | 3 | 5 | 1000 |
| 4300 | | 1995 | — | 5150 | — | 1140 | 3 | 5 | 950 |
| 4500 | | 2065 | — | 5350 | — | 1210 | 3 | 5 | 900 |
| 4700 | | 2145 | — | 5550 | — | 1290 | 3 | 5 | 900 |
| 5000 | | 2245 | — | 5850 | — | 1390 | 3 | 5 | 850 |
| 5500 | | 2405 | — | 6350 | — | 1545 | 3 | 5 | 700 |
| 6000 | | 2595 | — | 6850 | — | 1740 | 3 | 5 | 550 |

NOTE: Height of standard load backrest is 850 mm.
without load backrest is standard on FV mast.

7FBR13

| Mast Type | Maximum Fork Height | Overall Mast Height | | | Free Lift | | Tilt Range | | Load Capacity at 500 mm LC |
|-----------|---------------------|---------------------|-----------------------|-----------------------------|-----------------------|-----------------------------|------------|----|----------------------------|
| | | Lowered | Extended | | Without Load Backrest | With Standard Load Backrest | Down | Up | |
| | | | Without Load Backrest | With Standard Load Backrest | | | | | |
| mm | mm | mm | mm | mm | mm | deg | deg | kg | |
| V | 2500 | 1745 | — | 3350 | — | 100 | 3 | 5 | 1250 |
| | 2700 | 1845 | — | 3550 | — | 100 | 3 | 5 | 1250 |
| | 3000 | 1995 | — | 3850 | — | 100 | 3 | 5 | 1250 |
| | 3300 | 2145 | — | 4150 | — | 100 | 3 | 5 | 1250 |
| | 3500 | 2245 | — | 4350 | — | 100 | 3 | 5 | 1250 |
| | 3700 | 2345 | — | 4550 | — | 100 | 3 | 5 | 1250 |
| | 4000 | 2495 | — | 4850 | — | 100 | 3 | 5 | 1250 |
| | 5000 | 2845 | — | 5350 | — | 100 | 3 | 5 | 1150 |
| SV | 2500 | 1745 | — | 3350 | — | 410 | 3 | 5 | 1250 |
| | 2700 | 1845 | — | 3550 | — | 410 | 3 | 5 | 1250 |
| | 3000 | 1995 | — | 3850 | — | 410 | 3 | 5 | 1250 |
| | 3300 | 2145 | — | 4150 | — | 410 | 3 | 5 | 1250 |
| | 3500 | 2245 | — | 4350 | — | 410 | 3 | 5 | 1250 |
| | 3700 | 2345 | — | 4550 | — | 410 | 3 | 5 | 1250 |
| | 4000 | 2495 | — | 4850 | — | 410 | 3 | 5 | 1250 |
| | 5000 | 2845 | — | 5350 | — | 410 | 3 | 5 | 1150 |
| FV | 2500 | 1745 | 3115 | 3350 | 945 | 890 | 3 | 5 | 1250 |
| | 2700 | 1845 | 3315 | 3550 | 1045 | 990 | 3 | 5 | 1250 |
| | 3000 | 1995 | 3615 | 3850 | 1195 | 1140 | 3 | 5 | 1250 |
| | 3300 | 2145 | 3915 | 4150 | 1345 | 1290 | 3 | 5 | 1250 |
| | 3500 | 2245 | 4115 | 4350 | 1445 | 1390 | 3 | 5 | 1250 |
| | 3700 | 2345 | 4315 | 4550 | 1545 | 1490 | 3 | 5 | 1250 |
| | 4000 | 2495 | 4615 | 4850 | 1695 | 1640 | 3 | 5 | 1250 |
| | FSV | 3700 | 1795 | — | 4550 | — | 940 | 3 | 5 |
| 4000 | | 1895 | — | 4850 | — | 1040 | 3 | 5 | 1250 |
| 4300 | | 1995 | — | 5150 | — | 1140 | 3 | 5 | 1200 |
| 4500 | | 2065 | — | 5350 | — | 1210 | 3 | 5 | 1150 |
| 4700 | | 2145 | — | 5550 | — | 1290 | 3 | 5 | 1150 |
| 5000 | | 2245 | — | 5850 | — | 1390 | 3 | 5 | 1050 |
| 5500 | | 2405 | — | 6350 | — | 1545 | 3 | 5 | 850 |
| 6000 | | 2595 | — | 6850 | — | 1740 | 3 | 5 | 650 |

NOTE: Height of standard load backrest is 850 mm.
without load backrest is standard on FV mast.

MAST SPECIFICATIONS & RATED CAPACITIES

Wide Visible Mast (V), Wide Visible Mast (SV), Wide Visible Full-Free Lift Two-Stage Mast (FV),
Wide Visible Full-Free Lift Three-Stage Mast (FSV)

7FBR15

| Mast Type | Maximum Fork Height | Overall Mast Height | | | Free Lift | | Tilt Range | | Load Capacity at 500 mm LC |
|-----------|---------------------|---------------------|-----------------------|-----------------------------|-----------------------|-----------------------------|------------|----|----------------------------|
| | | Lowered | Extended | | Without Load Backrest | With Standard Load Backrest | Down | Up | |
| | | | Without Load Backrest | With Standard Load Backrest | | | | | |
| mm | mm | mm | mm | mm | mm | deg | deg | kg | |
| V | 2500 | 1745 | — | 3350 | — | 105 | 3 | 5 | 1500 |
| | 2700 | 1845 | — | 3550 | — | 105 | 3 | 5 | 1500 |
| | 3000 | 1995 | — | 3850 | — | 105 | 3 | 5 | 1500 |
| | 3300 | 2145 | — | 4150 | — | 105 | 3 | 5 | 1500 |
| | 3500 | 2245 | — | 4350 | — | 105 | 3 | 5 | 1500 |
| | 3700 | 2345 | — | 4550 | — | 105 | 3 | 5 | 1500 |
| | 4000 | 2495 | — | 4850 | — | 105 | 3 | 5 | 1500 |
| | 5000 | 2845 | — | 5350 | — | 105 | 3 | 5 | 1450 |
| SV | 2500 | 1745 | — | 3350 | — | 415 | 3 | 5 | 1500 |
| | 2700 | 1845 | — | 3550 | — | 415 | 3 | 5 | 1500 |
| | 3000 | 1995 | — | 3850 | — | 415 | 3 | 5 | 1500 |
| | 3300 | 2145 | — | 4150 | — | 415 | 3 | 5 | 1500 |
| | 3500 | 2245 | — | 4350 | — | 415 | 3 | 5 | 1500 |
| | 3700 | 2345 | — | 4550 | — | 415 | 3 | 5 | 1500 |
| | 4000 | 2495 | — | 4850 | — | 415 | 3 | 5 | 1500 |
| | 5000 | 2845 | — | 5350 | — | 415 | 3 | 5 | 1450 |
| FV | 2500 | 1745 | 3115 | 3350 | 945 | 895 | 3 | 5 | 1500 |
| | 2700 | 1845 | 3315 | 3550 | 1045 | 995 | 3 | 5 | 1500 |
| | 3000 | 1995 | 3615 | 3850 | 1195 | 1145 | 3 | 5 | 1500 |
| | 3300 | 2145 | 3915 | 4150 | 1345 | 1295 | 3 | 5 | 1500 |
| | 3500 | 2245 | 4115 | 4350 | 1445 | 1395 | 3 | 5 | 1500 |
| | 3700 | 2345 | 4315 | 4550 | 1545 | 1495 | 3 | 5 | 1500 |
| | 4000 | 2495 | 4615 | 4850 | 1695 | 1645 | 3 | 5 | 1500 |
| | FSV | 3700 | 1795 | — | 4550 | — | 945 | 3 | 5 |
| 4000 | | 1895 | — | 4850 | — | 1045 | 3 | 5 | 1500 |
| 4300 | | 1995 | — | 5150 | — | 1145 | 3 | 5 | 1500 |
| 4500 | | 2065 | — | 5350 | — | 1215 | 3 | 5 | 1450 |
| 4700 | | 2145 | — | 5550 | — | 1295 | 3 | 5 | 1450 |
| 5000 | | 2245 | — | 5850 | — | 1395 | 3 | 5 | 1400 |
| 5500 | | 2405 | — | 6350 | — | 1550 | 3 | 5 | 1150 |
| 6000 | | 2595 | — | 6850 | — | 1745 | 3 | 5 | 900 |

NOTE: Height of standard load backrest is 850 mm.
without load backrest is standard on FV mast.

7FBR18

| Mast Type | Maximum Fork Height | Overall Mast Height | | | Free Lift | | Tilt Range | | Load Capacity at 500 mm LC |
|-----------|---------------------|---------------------|-----------------------|-----------------------------|-----------------------|-----------------------------|------------|----|----------------------------|
| | | Lowered | Extended | | Without Load Backrest | With Standard Load Backrest | Down | Up | |
| | | | Without Load Backrest | With Standard Load Backrest | | | | | |
| mm | mm | mm | mm | mm | mm | deg | deg | kg | |
| V | 2500 | 1745 | — | 3350 | — | 105 | 3 | 5 | 1800 |
| | 2700 | 1845 | — | 3550 | — | 105 | 3 | 5 | 1800 |
| | 3000 | 1995 | — | 3850 | — | 105 | 3 | 5 | 1800 |
| | 3300 | 2145 | — | 4150 | — | 105 | 3 | 5 | 1800 |
| | 3500 | 2245 | — | 4350 | — | 105 | 3 | 5 | 1800 |
| | 3700 | 2345 | — | 4550 | — | 105 | 3 | 5 | 1800 |
| | 4000 | 2495 | — | 4850 | — | 105 | 3 | 5 | 1800 |
| | 5000 | 2845 | — | 5350 | — | 105 | 3 | 5 | 1700 |
| SV | 2500 | 1745 | — | 3350 | — | 415 | 3 | 5 | 1800 |
| | 2700 | 1845 | — | 3550 | — | 415 | 3 | 5 | 1800 |
| | 3000 | 1995 | — | 3850 | — | 415 | 3 | 5 | 1800 |
| | 3300 | 2145 | — | 4150 | — | 415 | 3 | 5 | 1800 |
| | 3500 | 2245 | — | 4350 | — | 415 | 3 | 5 | 1800 |
| | 3700 | 2345 | — | 4550 | — | 415 | 3 | 5 | 1800 |
| | 4000 | 2495 | — | 4850 | — | 415 | 3 | 5 | 1800 |
| | 5000 | 2845 | — | 5350 | — | 415 | 3 | 5 | 1700 |
| FV | 2500 | 1745 | 3115 | 3350 | 945 | 895 | 3 | 5 | 1800 |
| | 2700 | 1845 | 3315 | 3550 | 1045 | 995 | 3 | 5 | 1800 |
| | 3000 | 1995 | 3615 | 3850 | 1195 | 1145 | 3 | 5 | 1800 |
| | 3300 | 2145 | 3915 | 4150 | 1345 | 1295 | 3 | 5 | 1800 |
| | 3500 | 2245 | 4115 | 4350 | 1445 | 1395 | 3 | 5 | 1800 |
| | 3700 | 2345 | 4315 | 4550 | 1545 | 1495 | 3 | 5 | 1800 |
| | 4000 | 2495 | 4615 | 4850 | 1695 | 1645 | 3 | 5 | 1800 |
| | FSV | 3700 | 1795 | — | 4550 | — | 945 | 3 | 5 |
| 4000 | | 1895 | — | 4850 | — | 1045 | 3 | 5 | 1800 |
| 4300 | | 1995 | — | 5150 | — | 1145 | 3 | 5 | 1750 |
| 4500 | | 2065 | — | 5350 | — | 1215 | 3 | 5 | 1650 |
| 4700 | | 2145 | — | 5550 | — | 1295 | 3 | 5 | 1650 |
| 5000 | | 2245 | — | 5850 | — | 1395 | 3 | 5 | 1550 |
| 5500 | | 2405 | — | 6350 | — | 1550 | 3 | 5 | 1350 |
| 6000 | | 2595 | — | 6850 | — | 1745 | 3 | 5 | 1050 |

NOTE: Height of standard load backrest is 850 mm.
without load backrest is standard on FV mast.

7FBR20.25.30

7FBRS20.25

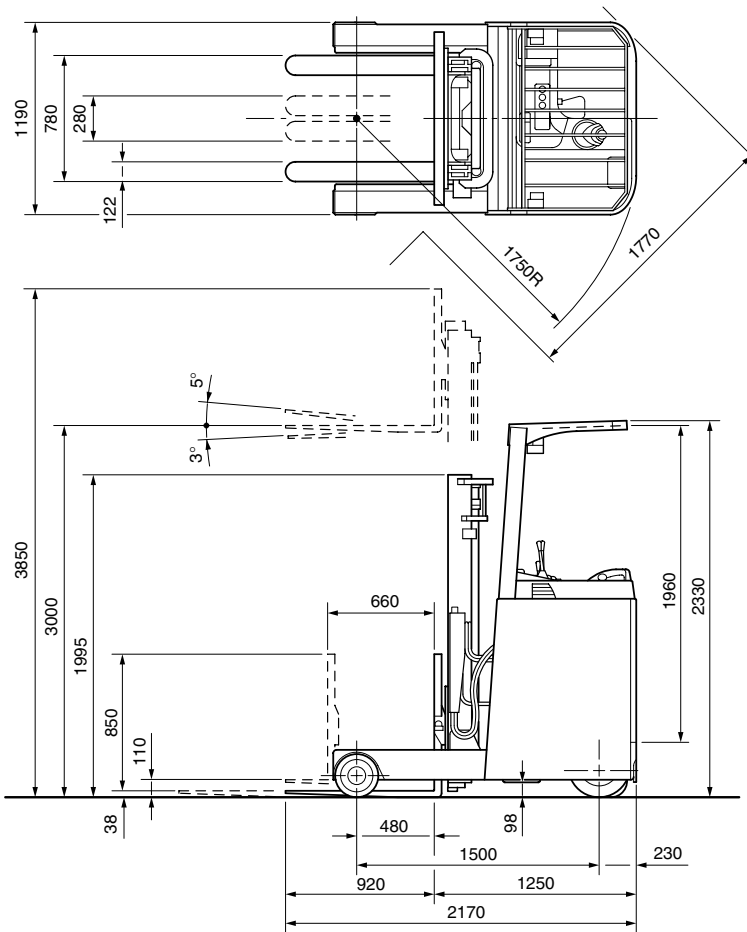
MAIN VEHICLE SPECIFICATIONS

| 1 | Manufacturer | | | TOYOTA | TOYOTA | TOYOTA | TOYOTA | TOYOTA | |
|----|---|-----------------------------------|-------------------|---------------------|---------------------|---------------------|---------------------|---------------------|------------|
| 2 | Model | | | 7FBR20 | 7FBRS20 | 7FBR25 | 7FBRS25 | 7FBR30 | |
| 3 | Load Capacity | | kg | 2000 | 2000 | 2500 | 2500 | 3000 | |
| 4 | Load Center | | mm | 500 | 500 | 500 | 500 | 500 | |
| 5 | Power Type | | | Battery | Battery | Battery | Battery | Battery | |
| 6 | Operator Position | | | Stand ON | Stand ON | Stand ON | Stand ON | Stand ON | |
| 7 | Tire Type | Front/Rear | | Cushion | Cushion | Cushion | Cushion | Cushion | |
| 8 | Wheels (x = driven) | Front/Rear | | 2/1x+2 | 2/1x+2 | 2/1x+2 | 2/1x+2 | 2/1x+2 | |
| 9 | Maximum Fork Height (MFH) | | mm | 3000 | 4000 | 3000 | 4000 | 3000 | |
| 10 | Free Lift | | mm | 110 | 110 | 110 | 110 | 135 | |
| 13 | Fork Size | T x W x L | mm | 38/122/920 | 38/122/920 | 42/122/920 | 42/122/920 | 45/122/1070 | |
| | Fork Spread (Outside) | MAX./MIN. | mm | 780/280 | 780/280 | 780/280 | 780/280 | 780/250 | |
| 14 | Tilt Range | Up/Down | deg | 5/3 | 5/3 | 5/3 | 5/3 | 5/3 | |
| | Overall Length | | mm | 2170 | 2170 | 2190 | 2190 | 2390 | |
| 15 | Length to Fork Face | | mm | 1250 | 1250 | 1270 | 1270 | 1320 | |
| | Width Between Reach Legs | | mm | 815 | 815 | 815 | 815 | 815 | |
| | Reach Stroke | | mm | 660 | 660 | 840 | 840 | 840 | |
| 16 | Overall Width | | mm | 1190 | 1190 | 1190 | 1190 | 1240 | |
| 17 | Mast Lowered Height | | mm | 1995 | 2555 | 1995 | 2555 | 1995 | |
| 18 | Mast Extended Height | | mm | 3850 | 4850 | 3850 | 4850 | 3950 | |
| 19 | Overhead Guard Height | | mm | 2330 | 2330 | 2330 | 2330 | 2330 | |
| 21 | Turning Radius (Outside) | | mm | 1750 | 1750 | 1950 | 1950 | 2000 | |
| 22 | Load Distance (Centerline of front axle to front face of forks) | | mm | 480 | 480 | 660 | 660 | 660 | |
| | Rear Overhang | | mm | 230 | 230 | 230 | 230 | 230 | |
| | Right Angle Stacking Aisle Width (With pallets 1100x1100) * | | mm | 2580 | 2580 | 2650 | 2650 | 2700 | |
| | Intersecting Aisle Width | | mm | 1770 | 1770 | 1870 | 1870 | 1900 | |
| 24 | Speeds | Travel, Max. (FWD/RVS) | Full Load | km/h | 10 | 10 | 9.5 | 9.5 | 9 |
| | | | No Load | km/h | 11.5 | 11.5 | 11.5 | 11.5 | 11 |
| | | Lifting | Full Load | mm/sec | 300 | 300 | 280 | 280 | 220 |
| | | | No Load | mm/sec | 500 | 500 | 500 | 500 | 420 |
| 26 | Lowering | Full Load | mm/sec | 500 | 500 | 500 | 500 | 500 | |
| | | No Load | mm/sec | 450 | 450 | 450 | 450 | 450 | |
| 27 | Traction | Full Load/ No Load | 3-Minute Ratings | N | 9700/10000 | 9700/10000 | 9600/10000 | 9600/10000 | 9500/10000 |
| | | | 5-Minute Ratings | N | 9700/10000 | 9700/10000 | 9600/10000 | 9600/10000 | 9500/10000 |
| | | | 60-Minute Ratings | N | 2600/3000 | 2600/2900 | 2500/2900 | 2500/2900 | 2400/2900 |
| 29 | Gradeability ** | Full Load/ No Load | 3-Minute Ratings | % (tanθ) | 17/30 | 17/30 | 15/28 | 15/28 | 13/26 |
| | | | 5-Minute Ratings | % (tanθ) | 17/30 | 17/30 | 15/28 | 15/28 | 13/26 |
| | | | 60-Minute Ratings | % (tanθ) | 6/12 | 5/11 | 5/11 | 4/10 | 4/9 |
| 32 | Total Weight | Without Battery | kg | 1880 | 2310 | 2270 | 2335 | 2540 | |
| 33 | Weight Distribution (With STD Battery) | Full Load | Front | kg | 4120 | 4220 | 4710 | 4800 | 5600 |
| | | Rear | kg | 620 | 680 | 650 | 720 | 650 | |
| 34 | No Load (No Reach) | Front | kg | 930 | 990 | 890 | 950 | 1060 | |
| | | Rear | kg | 1810 | 1910 | 1970 | 2070 | 2190 | |
| 35 | Tires | Number | Front/Rear | 2/1x+2 | 2/1x+2 | 2/1x+2 | 2/1x+2 | 2/1x+2 | |
| 36 | Tires | Front, Load | | 267x127 | 267x127 | 267x127 | 267x127 | 267x127 | |
| 37 | | Rear, Drive | | 380x145 | 380x145 | 380x145 | 380x145 | 380x145 | |
| | | Rear, Caster | | 204x76 | 204x76 | 204x76 | 204x76 | 204x76 | |
| 38 | Wheelbase | | mm | 1500 | 1500 | 1700 | 1700 | 1750 | |
| 39 | Tread | Front | mm | 1065 | 1065 | 1065 | 1065 | 1090 | |
| | | Rear | mm | 690 | 690 | 690 | 690 | 690 | |
| | Backrest Height | | mm | 850 | 850 | 850 | 850 | 950 | |
| | Overhead Guard Clearance | | mm | 1960 | 1960 | 1960 | 1960 | 1960 | |
| | Floor Height | | mm | 325 | 325 | 325 | 325 | 325 | |
| 40 | Underclearance *** | Min. <Suspension> | mm | 70 (No Load) | 70 (No Load) | 70 (Full Load) | 70 (Full Load) | 70 (Full Load) | |
| 41 | | Center of Wheelbase | mm | 98 (No Load) | 98 (No Load) | 98 (Full Load) | 98 (Full Load) | 98 (Full Load) | |
| 42 | Brake | Front | | Hydraulic | Hydraulic | Hydraulic | Hydraulic | Hydraulic | |
| | | Service (Foot) | | Mechanical | Mechanical | Mechanical | Mechanical | Mechanical | |
| | | Parking | | Mechanical | Mechanical | Mechanical | Mechanical | Mechanical | |
| 43 | Battery | Voltage/Capacity (5-hour ratings) | STD | V/AH | 48/320 | 48/320 | 48/320 | 48/390 | 48/435 |
| | | High | V/AH | 48/435 | 48/435 | 48/435 | 48/435 | — | |
| 46 | Weight (STD Capacity Type) | | kg | 590 | 590 | 590 | 685 | 710 | |
| 47 | Drive | | kW | 5.2 | 5.2 | 5.2 | 5.2 | 5.2 | |
| 48 | Electric Motors | Load Handling | | kW | 11 | 11 | 11 | 11 | 11 |
| | | Power Steering | | kW | 0.35 | 0.35 | 0.35 | 0.35 | 0.35 |
| 54 | Control Type | Drive | | Transistor inverter | Transistor inverter | Transistor inverter | Transistor inverter | Transistor inverter | |
| | | Load Handling | | Transistor chopper | Transistor chopper | Transistor chopper | Transistor chopper | Transistor chopper | |
| | | Power Steering | | Transistor chopper | Transistor chopper | Transistor chopper | Transistor chopper | Transistor chopper | |
| 57 | Operating Pressure | For Attachments | MPa (psi) | 18.1 (2600) | 18.1 (2600) | 18.1 (2600) | 18.1 (2600) | 18.1 (2600) | |

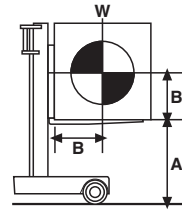
NOTE: * Safety clearance of 200 mm not included (general application). ** Computed values.
 *** The underclearance value is valid under the following conditions: no reach, 500 mm load center and the suspension spring in correct adjustment. Underclearance will be increased slightly under the full reach condition.

DIMENSIONAL DRAWINGS
7FBR20

Unit: mm



RATED CAPACITIES
7FBR20



A: Max. Fork Height
B: Load Center
W: Capacity

V, SV, FV Mast Unit: kg (W)

| A (mm) | 4000 | 4500 | 5000 |
|---------------|------|------|------|
| 500 | 2000 | 1900 | 1800 |
| 600 | 1740 | 1660 | 1570 |
| 700 | 1550 | 1470 | 1390 |
| 800 | 1390 | 1320 | 1250 |
| B (mm) | | | |
| 900 | 1260 | 1200 | 1130 |
| 1000 | 1150 | 1090 | 1040 |
| 1100 | 1060 | 1010 | 960 |
| 1200 | 990 | 940 | 890 |
| 1300 | 920 | 870 | 830 |

REACH LEGS HEIGHT

7FBR20 283

UNDERCLEARANCE

Center of Wheelbase (No Load) 98
Rear Frame (No Load) 90

SPECIAL MAST

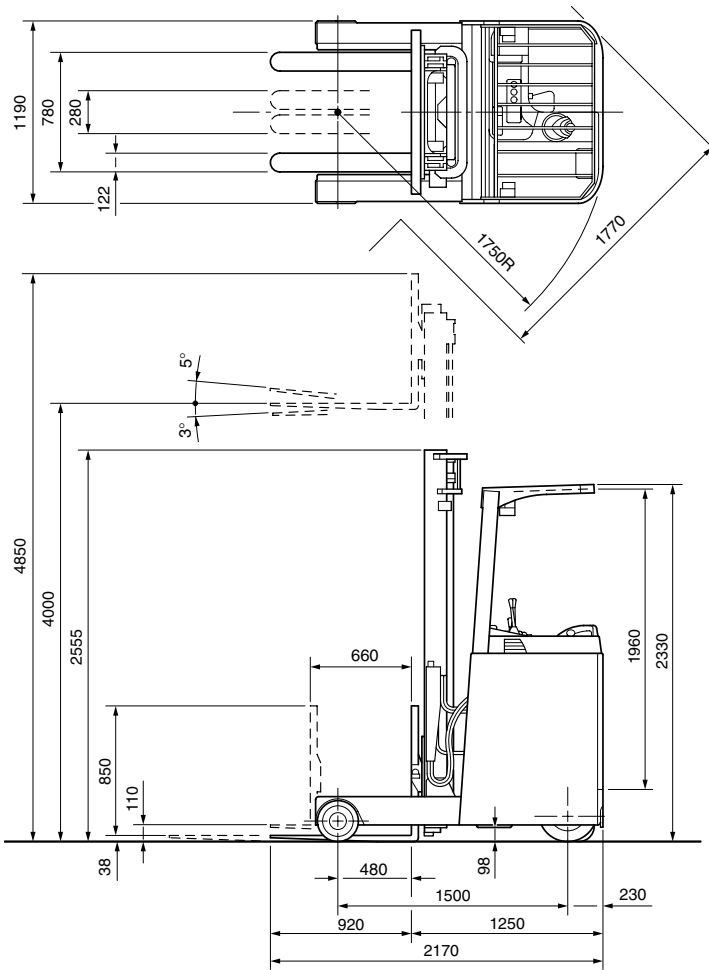
Wide Visible Mast (SV), Wide Visible Full-Free Lift Two-Stage Mast (FV)

| Model | | 7FBR20 | | | |
|--|----------|-----------|--------|------|-----|
| Type of Mast | | SV | FV | | |
| PERFORMANCE | | | | | |
| Speeds | Lifting | Full Load | mm/sec | 300 | 280 |
| | | No Load | mm/sec | 500 | 450 |
| | Lowering | Full Load | mm/sec | 500 | 480 |
| | | No Load | mm/sec | 450 | 400 |
| Reach Stroke | | mm | 660 | 545 | |
| DIMENSIONS | | | | | |
| Load Distance (Centerline of front axle to front face of forks) | | mm | 480 | 365 | |
| Overall Length (to Top of Forks) | | mm | 2170 | 2285 | |
| Overall Width | | mm | 1190 | 1190 | |
| Turning Radius (Outside) | | mm | 1750 | 1750 | |
| Intersecting Aisle Width | | mm | 1770 | 1770 | |

DIMENSIONAL DRAWINGS

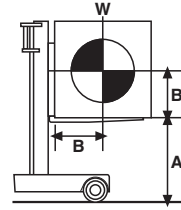
7FBRS20

Unit: mm



RATED CAPACITIES

7FBRS20



A: Max. Fork Height
B: Load Center
W: Capacity

V, SV, FV Mast

| A (mm) | Unit: kg (W) |
|--------|--------------|
| 500 | 2000 |
| 600 | 1740 |
| 700 | 1550 |
| 800 | 1390 |
| 900 | 1260 |
| 1000 | 1150 |
| 1100 | 1060 |
| 1200 | 990 |
| 1300 | 920 |

FSV Mast

| A (mm) | Unit: kg (W) | | |
|--------|--------------|------|------|
| 500 | 2000 | 1850 | 1750 |
| 600 | 1740 | 1610 | 1530 |
| 700 | 1550 | 1430 | 1350 |
| 800 | 1390 | 1280 | 1210 |
| 900 | 1260 | 1160 | 1100 |
| 1000 | 1150 | 1070 | 1010 |
| 1100 | 1060 | 980 | 930 |
| 1200 | 990 | 910 | 860 |
| 1300 | 920 | 850 | 800 |

REACH LEGS HEIGHT

7FBRS20 283

UNDERCLEARANCE

Center of Wheelbase (No Load) 98
Rear Frame (No Load) 90

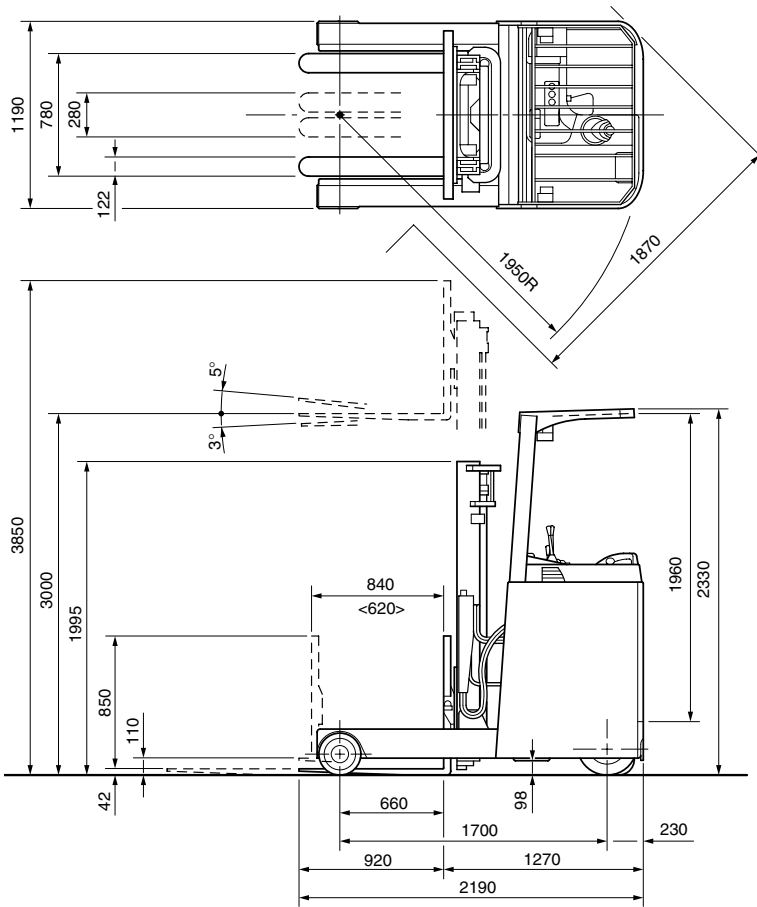
SPECIAL MAST

Wide Visible Mast (SV), Wide Visible Full-Free Lift Two-Stage Mast (FV),
Wide Visible Full-Free Lift Three-Stage Mast (FSV)

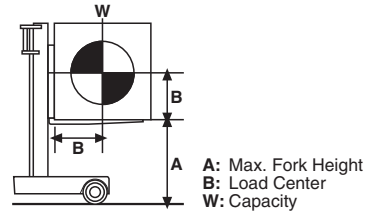
| Model | | 7FBRS20 | | | | |
|--|----------|-----------|--------|------|------|-----|
| Type of Mast | | SV | FV | FSV | | |
| PERFORMANCE | | | | | | |
| Speeds | Lifting | Full Load | mm/sec | 300 | 280 | 280 |
| | | No Load | mm/sec | 500 | 450 | 450 |
| | Lowering | Full Load | mm/sec | 500 | 480 | 480 |
| | | No Load | mm/sec | 450 | 400 | 430 |
| Reach Stroke | | mm | 660 | 545 | 545 | |
| DIMENSIONS | | | | | | |
| Load Distance (Centerline of front axle to front face of forks) | | mm | 480 | 365 | 365 | |
| Overall Length (to Top of Forks) | | mm | 2170 | 2285 | 2285 | |
| Overall Width | | mm | 1190 | 1190 | 1190 | |
| Turning Radius (Outside) | | mm | 1750 | 1750 | 1750 | |
| Intersecting Aisle Width | | mm | 1770 | 1770 | 1770 | |

DIMENSIONAL DRAWINGS
7FBR25

Unit: mm



RATED CAPACITIES
7FBR25



V, SV, FV Mast Unit: kg (W)

| A (mm) | 4000 | 4500 | 5000 |
|---------------|------|------|------|
| 500 | 2500 | 2400 | 2300 |
| 600 | 2180 | 2090 | 2010 |
| 700 | 1930 | 1850 | 1780 |
| 800 | 1730 | 1670 | 1600 |
| B (mm) | | | |
| 900 | 1570 | 1510 | 1450 |
| 1000 | 1440 | 1380 | 1330 |
| 1100 | 1330 | 1280 | 1220 |
| 1200 | 1230 | 1180 | 1130 |
| 1300 | 1150 | 1100 | 1060 |

REACH LEGS HEIGHT

7FBR25 283

UNDERCLEARANCE

Center of Wheelbase (Full Load) 98
Rear Frame (Full Load) 90

NOTE: < > is data for when equipped with the 5000 mm V or SV mast.

SPECIAL MAST

Wide Visible Mast (SV), Wide Visible Full-Free Lift Two-Stage Mast (FV)

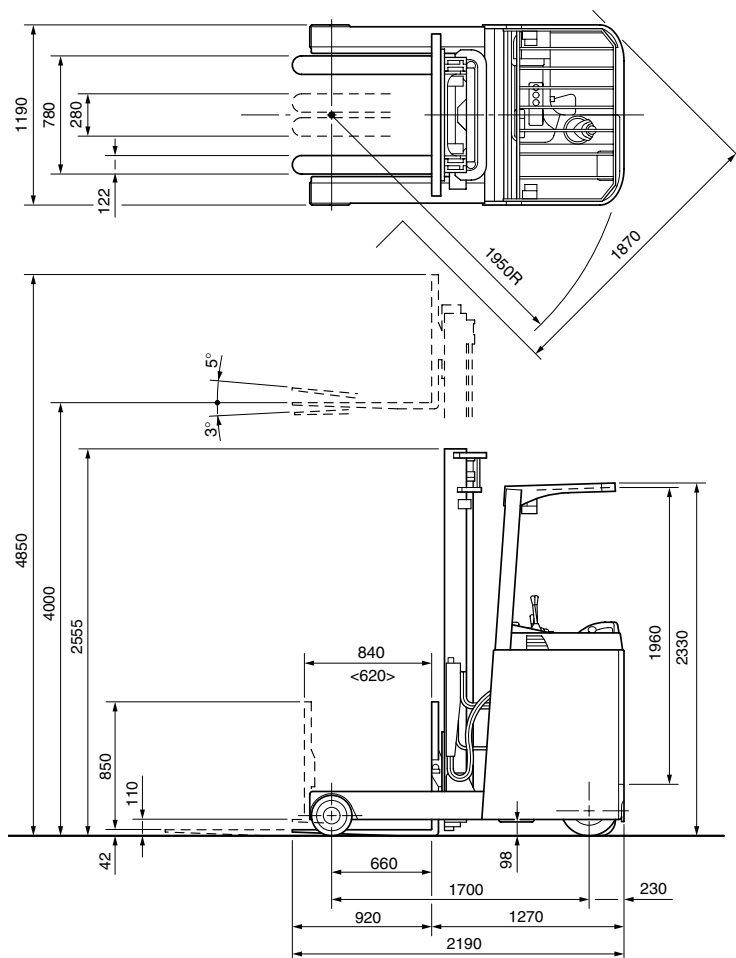
| Model | | | | 7FBR25 | |
|--|----------|-----------|-----------|--------|-----|
| Type of Mast | | | | SV | FV |
| PERFORMANCE | | | | | |
| Speeds | Lifting | Full Load | mm/sec | 280 | 260 |
| | | No Load | mm/sec | 500 | 450 |
| | Lowering | Full Load | mm/sec | 500 | 480 |
| | | No Load | mm/sec | 450 | 400 |
| Reach Stroke | | mm | 840 <620> | 755 | |
| DIMENSIONS | | | | | |
| Load Distance (Centerline of front axle to front face of forks) | | mm | 660 | 575 | |
| Overall Length (to Top of Forks) | | mm | 2190 | 2275 | |
| Overall Width | | mm | 1190 | 1190 | |
| Turning Radius (Outside) | | mm | 1950 | 1950 | |
| Intersecting Aisle Width | | mm | 1870 | 1870 | |

NOTE: < > is data for when equipped with the 5000 mm V or SV mast.

DIMENSIONAL DRAWINGS

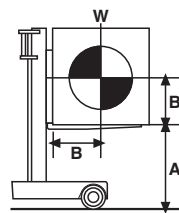
7FBRS25

Unit: mm



RATED CAPACITIES

7FBRS25



A: Max. Fork Height
B: Load Center
W: Capacity

V, SV, FV Mast Unit: kg (W)

| A (mm) | 5000 |
|--------|------|
| 500 | 2500 |
| 600 | 2180 |
| 700 | 1930 |
| 800 | 1730 |
| B (mm) | 1570 |
| 900 | 1570 |
| 1000 | 1440 |
| 1100 | 1330 |
| 1200 | 1230 |
| 1300 | 1150 |

FSV Mast Unit: kg (W)

| A (mm) | 5000 | 5500 | 6000 |
|--------|------|------|------|
| 500 | 2500 | 2250 | 2100 |
| 600 | 2180 | 1960 | 1830 |
| 700 | 1930 | 1740 | 1620 |
| 800 | 1730 | 1560 | 1460 |
| B (mm) | 1420 | 1300 | 1210 |
| 900 | 1570 | 1420 | 1320 |
| 1000 | 1440 | 1300 | 1210 |
| 1100 | 1330 | 1200 | 1120 |
| 1200 | 1230 | 1110 | 1030 |
| 1300 | 1150 | 1030 | 960 |

REACH LEGS HEIGHT

7FBRS25 283

UNDERCLEARANCE

Center of Wheelbase (Full Load) 98
Rear Frame (Full Load) 90

NOTE: < > is data for when equipped with the 5000 mm V or SV mast.

SPECIAL MAST

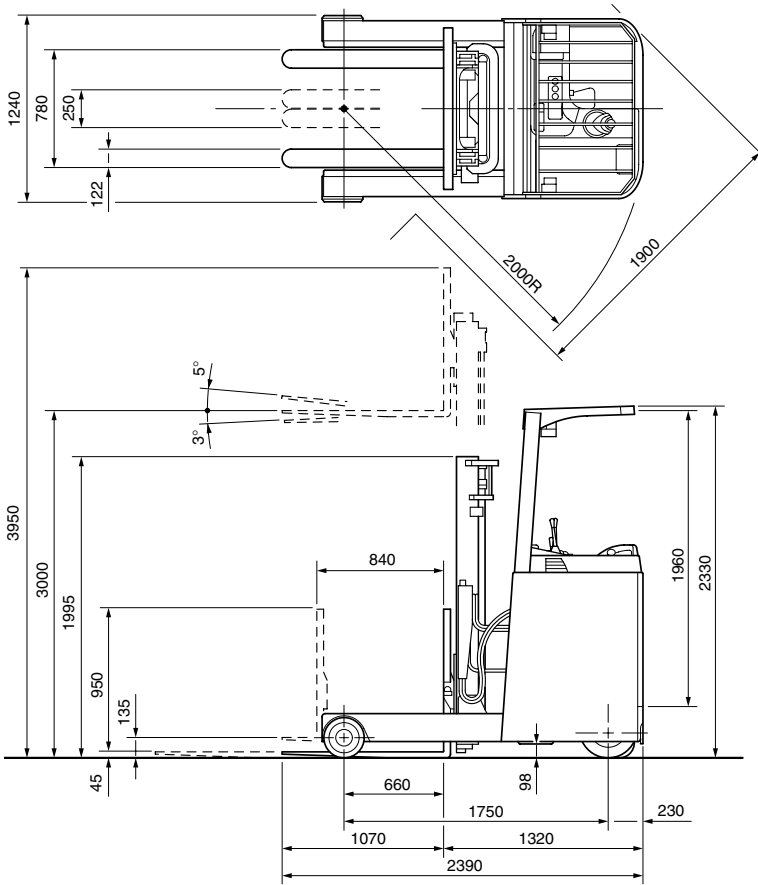
Wide Visible Mast (SV), Wide Visible Full-Free Lift Two-Stage Mast (FV),
Wide Visible Full-Free Lift Three-Stage Mast (FSV)

| Model | | 7FBRS25 | | | | |
|--|----------|-----------|-----------|------|-----|-----|
| Type of Mast | | SV | FV | FSV | | |
| PERFORMANCE | | | | | | |
| Speeds | Lifting | Full Load | mm/sec | 280 | 260 | 260 |
| | | No Load | mm/sec | 500 | 450 | 450 |
| | Lowering | Full Load | mm/sec | 500 | 480 | 480 |
| | | No Load | mm/sec | 450 | 400 | 430 |
| Reach Stroke | | mm | 840 <620> | 755 | 755 | |
| DIMENSIONS | | | | | | |
| Load Distance (Centerline of front axle to front face of forks) | mm | 660 | 575 | 575 | | |
| Overall Length (to Top of Forks) | mm | 2190 | 2275 | 2275 | | |
| Overall Width | mm | 1190 | 1190 | 1190 | | |
| Turning Radius (Outside) | mm | 1950 | 1950 | 1950 | | |
| Intersecting Aisle Width | mm | 1870 | 1870 | 1870 | | |

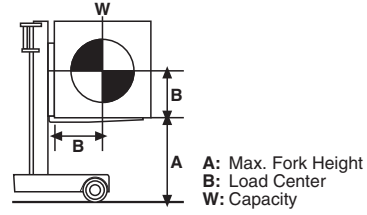
NOTE: < > is data for when equipped with the 5000 mm V or SV mast.

DIMENSIONAL DRAWINGS
7FBR30

Unit: mm



RATED CAPACITIES
7FBR30



V, SV Mast Unit: kg (W)

| A (mm) | 4000 | 4500 | 5000 | |
|--------|------|------|------|------|
| 500 | 3000 | 2900 | 2800 | |
| 600 | 2620 | 2530 | 2440 | |
| 700 | 2320 | 2240 | 2160 | |
| 800 | 2080 | 2010 | 1940 | |
| B (mm) | 900 | 1890 | 1830 | 1760 |
| | 1000 | 1730 | 1670 | 1610 |
| | 1100 | 1590 | 1540 | 1490 |
| | 1200 | 1480 | 1430 | 1380 |
| | 1300 | 1380 | 1330 | 1290 |

FSV Mast Unit: kg (W)

| A (mm) | 4500 | 4700 | 5000 | 5500 | 6000 | |
|--------|------|------|------|------|------|------|
| 500 | 3000 | 2850 | 2750 | 2400 | 2150 | |
| 600 | 2620 | 2480 | 2400 | 2090 | 1870 | |
| 700 | 2320 | 2200 | 2130 | 1850 | 1660 | |
| 800 | 2080 | 1980 | 1910 | 1670 | 1490 | |
| B (mm) | 900 | 1890 | 1790 | 1730 | 1510 | 1350 |
| | 1000 | 1730 | 1640 | 1580 | 1380 | 1240 |
| | 1100 | 1590 | 1510 | 1460 | 1280 | 1140 |
| | 1200 | 1480 | 1400 | 1360 | 1180 | 1060 |
| | 1300 | 1380 | 1310 | 1260 | 1100 | 990 |

REACH LEGS HEIGHT

7FBR30 283

UNDERCLEARANCE

Center of Wheelbase (Full Load) 98
Rear Frame (Full Load) 90

SPECIAL MAST

Wide Visible Mast (SV),
Wide Visible Full-Free Lift Three-Stage Mast (FSV)

| Model | | 7FBR30 | | | |
|--|----------|-----------|--------|-----|-----|
| Type of Mast | | SV | FSV | | |
| PERFORMANCE | | | | | |
| Speeds | Lifting | Full Load | mm/sec | 220 | 210 |
| | | No Load | mm/sec | 420 | 360 |
| | Lowering | Full Load | mm/sec | 500 | 460 |
| | | No Load | mm/sec | 450 | 400 |
| Reach Stroke | | mm | 840 | 755 | |
| DIMENSIONS | | | | | |
| Load Distance (Centerline of front axle to front face of forks) | mm | 660 | 575 | | |
| Overall Length (to Top of Forks) | mm | 2390 | 2475 | | |
| Overall Width | mm | 1240 | 1240 | | |
| Turning Radius (Outside) | mm | 2000 | 2000 | | |
| Intersecting Aisle Width | mm | 1900 | 1900 | | |

MAST SPECIFICATIONS & RATED CAPACITIES

Wide Visible Mast (V), Wide Visible Mast (SV), Wide Visible Full-Free Lift Two-Stage Mast (FV),
Wide Visible Full-Free Lift Three-Stage Mast (FSV)

7FBR20

| Mast Type | Maximum Fork Height | Overall Mast Height | | | Free Lift | | Tilt Range | | Load Capacity at 500 mm LC |
|-----------|---------------------|---------------------|-----------------------|-----------------------------|-----------------------|-----------------------------|------------|----|----------------------------|
| | | Lowered | Extended | | Without Load Backrest | With Standard Load Backrest | Down | Up | |
| | | | Without Load Backrest | With Standard Load Backrest | | | | | |
| mm | mm | mm | mm | mm | mm | deg | deg | kg | |
| V | 2500 | 1745 | — | 3350 | — | 110 | 3 | 5 | 2000 |
| | 2700 | 1845 | — | 3550 | — | 110 | 3 | 5 | 2000 |
| | 3000 | 1995 | — | 3850 | — | 110 | 3 | 5 | 2000 |
| | 3300 | 2145 | — | 4150 | — | 110 | 3 | 5 | 2000 |
| | 3500 | 2245 | — | 4350 | — | 110 | 3 | 5 | 2000 |
| | 3700 | 2405 | — | 4550 | — | 110 | 3 | 5 | 2000 |
| | 4000 | 2555 | — | 4850 | — | 110 | 3 | 5 | 2000 |
| | 4500 | 2845 | — | 5350 | — | 110 | 3 | 5 | 1900 |
| | 5000 | 3095 | — | 5850 | — | 110 | 3 | 5 | 1800 |
| SV | 2500 | 1745 | — | 3350 | — | 390 | 3 | 5 | 2000 |
| | 2700 | 1845 | — | 3550 | — | 390 | 3 | 5 | 2000 |
| | 3000 | 1995 | — | 3850 | — | 390 | 3 | 5 | 2000 |
| | 3300 | 2145 | — | 4150 | — | 390 | 3 | 5 | 2000 |
| | 3500 | 2245 | — | 4350 | — | 390 | 3 | 5 | 2000 |
| | 3700 | 2405 | — | 4550 | — | 510 | 3 | 5 | 2000 |
| | 4000 | 2555 | — | 4850 | — | 510 | 3 | 5 | 2000 |
| | 4500 | 2845 | — | 5350 | — | 510 | 3 | 5 | 1900 |
| | 5000 | 3095 | — | 5850 | — | 510 | 3 | 5 | 1800 |
| FV | 3000 | 1995 | 3615 | 3850 | 1180 | 1145 | 3 | 5 | 2000 |
| | 3300 | 2145 | 3915 | 4150 | 1330 | 1295 | 3 | 5 | 2000 |
| | 3500 | 2245 | 4115 | 4350 | 1430 | 1395 | 3 | 5 | 2000 |
| | 3700 | 2405 | 4315 | 4550 | 1590 | 1555 | 3 | 5 | 2000 |
| | 4000 | 2555 | 4615 | 4850 | 1740 | 1705 | 3 | 5 | 2000 |

NOTE: Height of standard load backrest is 850 mm.
without load backrest is standard on FV mast.

7FBRS20

| Mast Type | Maximum Fork Height | Overall Mast Height | | | Free Lift | | Tilt Range | | Load Capacity at 500 mm LC |
|-----------|---------------------|---------------------|-----------------------|-----------------------------|-----------------------|-----------------------------|------------|----|----------------------------|
| | | Lowered | Extended | | Without Load Backrest | With Standard Load Backrest | Down | Up | |
| | | | Without Load Backrest | With Standard Load Backrest | | | | | |
| mm | mm | mm | mm | mm | mm | deg | deg | kg | |
| V | 3500 | 2245 | — | 4350 | — | 110 | 3 | 5 | 2000 |
| | 3700 | 2405 | — | 4550 | — | 110 | 3 | 5 | 2000 |
| | 4000 | 2555 | — | 4850 | — | 110 | 3 | 5 | 2000 |
| | 4500 | 2845 | — | 5350 | — | 110 | 3 | 5 | 2000 |
| | 5000 | 3095 | — | 5850 | — | 110 | 3 | 5 | 2000 |
| SV | 3500 | 2245 | — | 4350 | — | 390 | 3 | 5 | 2000 |
| | 3700 | 2405 | — | 4550 | — | 510 | 3 | 5 | 2000 |
| | 4000 | 2555 | — | 4850 | — | 510 | 3 | 5 | 2000 |
| | 4500 | 2845 | — | 5350 | — | 510 | 3 | 5 | 2000 |
| | 5000 | 3095 | — | 5850 | — | 510 | 3 | 5 | 2000 |
| FV | 3500 | 2245 | 4115 | 4350 | 1430 | 1395 | 3 | 5 | 2000 |
| | 3700 | 2405 | 4315 | 4550 | 1590 | 1555 | 3 | 5 | 2000 |
| | 4000 | 2555 | 4615 | 4850 | 1740 | 1705 | 3 | 5 | 2000 |
| FSV | 4300 | 1965 | — | 5150 | — | 1115 | 3 | 5 | 2000 |
| | 4500 | 2035 | — | 5350 | — | 1185 | 3 | 5 | 2000 |
| | 4700 | 2115 | — | 5550 | — | 1265 | 3 | 5 | 2000 |
| | 5000 | 2215 | — | 5850 | — | 1365 | 3 | 5 | 2000 |
| | 5500 | 2375 | — | 6350 | — | 1525 | 3 | 5 | 1850 |
| | 6000 | 2565 | — | 6850 | — | 1715 | 3 | 5 | 1750 |

NOTE: Height of standard load backrest is 850 mm.
without load backrest is standard on FV mast.

MAST SPECIFICATIONS & RATED CAPACITIES

Wide Visible Mast (V), Wide Visible Mast (SV), Wide Visible Full-Free Lift Two-Stage Mast (FV),
Wide Visible Full-Free Lift Three-Stage Mast (FSV)

7FBR25

| Mast Type | Maximum Fork Height | Overall Mast Height | | | Free Lift | | Tilt Range | | Load Capacity at 500 mm LC |
|-----------|---------------------|---------------------|-----------------------|-----------------------------|-----------------------|-----------------------------|------------|----|----------------------------|
| | | Lowered | Extended | | Without Load Backrest | With Standard Load Backrest | Down | Up | |
| | | | Without Load Backrest | With Standard Load Backrest | | | | | |
| mm | mm | mm | mm | mm | mm | deg | deg | kg | |
| V | 2500 | 1745 | — | 3350 | — | 110 | 3 | 5 | 2500 |
| | 2700 | 1845 | — | 3550 | — | 110 | 3 | 5 | 2500 |
| | 3000 | 1995 | — | 3850 | — | 110 | 3 | 5 | 2500 |
| | 3300 | 2145 | — | 4150 | — | 110 | 3 | 5 | 2500 |
| | 3500 | 2245 | — | 4350 | — | 110 | 3 | 5 | 2500 |
| | 3700 | 2405 | — | 4550 | — | 110 | 3 | 5 | 2500 |
| | 4000 | 2555 | — | 4850 | — | 110 | 3 | 5 | 2500 |
| | 4500 | 2845 | — | 5350 | — | 110 | 3 | 5 | 2400 |
| | 5000 | 3095 | — | 5850 | — | 110 | 3 | 5 | 2300 |
| SV | 2500 | 1745 | — | 3350 | — | 390 | 3 | 5 | 2500 |
| | 2700 | 1845 | — | 3550 | — | 390 | 3 | 5 | 2500 |
| | 3000 | 1995 | — | 3850 | — | 390 | 3 | 5 | 2500 |
| | 3300 | 2145 | — | 4150 | — | 390 | 3 | 5 | 2500 |
| | 3500 | 2245 | — | 4350 | — | 390 | 3 | 5 | 2500 |
| | 3700 | 2405 | — | 4550 | — | 510 | 3 | 5 | 2500 |
| | 4000 | 2555 | — | 4850 | — | 510 | 3 | 5 | 2500 |
| | 4500 | 2845 | — | 5350 | — | 510 | 3 | 5 | 2400 |
| | 5000 | 3095 | — | 5850 | — | 510 | 3 | 5 | 2300 |
| FV | 3000 | 1995 | 3615 | 3850 | 1180 | 1145 | 3 | 5 | 2500 |
| | 3300 | 2145 | 3915 | 4150 | 1330 | 1295 | 3 | 5 | 2500 |
| | 3500 | 2245 | 4115 | 4350 | 1430 | 1395 | 3 | 5 | 2500 |
| | 3700 | 2405 | 4315 | 4550 | 1590 | 1555 | 3 | 5 | 2500 |
| | 4000 | 2555 | 4615 | 4850 | 1740 | 1705 | 3 | 5 | 2500 |

NOTE: Height of standard load backrest is 850 mm.
without load backrest is standard on FV mast.

7FBRS25

| Mast Type | Maximum Fork Height | Overall Mast Height | | | Free Lift | | Tilt Range | | Load Capacity at 500 mm LC |
|-----------|---------------------|---------------------|-----------------------|-----------------------------|-----------------------|-----------------------------|------------|----|----------------------------|
| | | Lowered | Extended | | Without Load Backrest | With Standard Load Backrest | Down | Up | |
| | | | Without Load Backrest | With Standard Load Backrest | | | | | |
| mm | mm | mm | mm | mm | mm | deg | deg | kg | |
| V | 3500 | 2245 | — | 4350 | — | 110 | 3 | 5 | 2500 |
| | 3700 | 2405 | — | 4550 | — | 110 | 3 | 5 | 2500 |
| | 4000 | 2555 | — | 4850 | — | 110 | 3 | 5 | 2500 |
| | 4500 | 2845 | — | 5350 | — | 110 | 3 | 5 | 2500 |
| | 5000 | 3095 | — | 5850 | — | 110 | 3 | 5 | 2500 |
| SV | 3500 | 2245 | — | 4350 | — | 390 | 3 | 5 | 2500 |
| | 3700 | 2405 | — | 4550 | — | 510 | 3 | 5 | 2500 |
| | 4000 | 2555 | — | 4850 | — | 510 | 3 | 5 | 2500 |
| | 4500 | 2845 | — | 5350 | — | 510 | 3 | 5 | 2500 |
| | 5000 | 3095 | — | 5850 | — | 510 | 3 | 5 | 2500 |
| FV | 3300 | 2145 | 3915 | 4150 | 1330 | 1295 | 3 | 5 | 2500 |
| | 3500 | 2245 | 4115 | 4350 | 1430 | 1395 | 3 | 5 | 2500 |
| | 3700 | 2405 | 4315 | 4550 | 1590 | 1555 | 3 | 5 | 2500 |
| | 4000 | 2555 | 4615 | 4850 | 1740 | 1705 | 3 | 5 | 2500 |
| FSV | 4300 | 1965 | — | 5150 | — | 1120 | 3 | 5 | 2500 |
| | 4500 | 2035 | — | 5350 | — | 1190 | 3 | 5 | 2500 |
| | 4700 | 2115 | — | 5550 | — | 1270 | 3 | 5 | 2500 |
| | 5000 | 2215 | — | 5850 | — | 1370 | 3 | 5 | 2500 |
| | 5500 | 2375 | — | 6350 | — | 1530 | 3 | 5 | 2250 |
| | 6000 | 2565 | — | 6850 | — | 1720 | 3 | 5 | 2100 |

NOTE: Height of standard load backrest is 850 mm.
without load backrest is standard on FV mast.

MAST SPECIFICATIONS & RATED CAPACITIES

Wide Visible Mast (V), Wide Visible Mast (SV),
Wide Visible Full-Free Lift Three-Stage Mast (FSV)

7FBR30

| Mast Type | Maximum Fork Height | Overall Mast Height | | | Free Lift | | Tilt Range | | Load Capacity at 500 mm LC |
|-----------|---------------------|---------------------|-----------------------|-----------------------------|-----------------------|-----------------------------|------------|----|----------------------------|
| | | Lowered | Extended | | Without Load Backrest | With Standard Load Backrest | Down | Up | |
| | | | Without Load Backrest | With Standard Load Backrest | | | | | |
| mm | mm | mm | mm | mm | mm | deg | deg | kg | |
| V | 2500 | 1745 | - | 3450 | - | 135 | 3 | 5 | 3000 |
| | 2700 | 1845 | - | 3650 | - | 135 | 3 | 5 | 3000 |
| | 3000 | 1995 | - | 3950 | - | 135 | 3 | 5 | 3000 |
| | 3300 | 2145 | - | 4250 | - | 135 | 3 | 5 | 3000 |
| | 3500 | 2245 | - | 4450 | - | 135 | 3 | 5 | 3000 |
| | 3700 | 2405 | - | 4650 | - | 135 | 3 | 5 | 3000 |
| | 4000 | 2595 | - | 4950 | - | 135 | 3 | 5 | 3000 |
| | 4500 | 2845 | - | 5450 | - | 135 | 3 | 5 | 2900 |
| | 5000 | 3095 | - | 5950 | - | 135 | 3 | 5 | 2800 |
| SV | 2500 | 1745 | - | 3450 | - | 365 | 3 | 5 | 3000 |
| | 2700 | 1845 | - | 3650 | - | 365 | 3 | 5 | 3000 |
| | 3000 | 1995 | - | 3950 | - | 365 | 3 | 5 | 3000 |
| | 3300 | 2145 | - | 4250 | - | 365 | 3 | 5 | 3000 |
| | 3500 | 2245 | - | 4450 | - | 365 | 3 | 5 | 3000 |
| | 3700 | 2405 | - | 4650 | - | 365 | 3 | 5 | 3000 |
| | 4000 | 2595 | - | 4950 | - | 365 | 3 | 5 | 3000 |
| | 4500 | 2845 | - | 5450 | - | 365 | 3 | 5 | 2900 |
| | 5000 | 3095 | - | 5950 | - | 365 | 3 | 5 | 2800 |
| FSV | 4300 | 2115 | - | 5250 | - | 1170 | 3 | 5 | 3000 |
| | 4500 | 2165 | - | 5450 | - | 1220 | 3 | 5 | 3000 |
| | 4700 | 2215 | - | 5650 | - | 1270 | 3 | 5 | 2850 |
| | 5000 | 2375 | - | 5950 | - | 1430 | 3 | 5 | 2750 |
| | 5500 | 2565 | - | 6450 | - | 1618 | 3 | 5 | 2400 |
| | 6000 | 2815 | - | 6950 | - | 1868 | 3 | 5 | 2150 |

NOTE: Height of standard load backrest is 950 mm.

7FBR10.13.15.18.20.25.30

7FBRS20.25

INDEX: ○ Standard
● Available

STANDARD EQUIPMENT

7FBR10.13.15.18.20.25.30, 7FBRS20.25

● Wide Visible Mast (V) [MFH: 3000 mm (7FBR10.13.15.18.20.25.30)] [MFH: 4000 mm (7FBRS20.25)] ● Shaft type forks ● Load backrest (V, SV and FSV) [Height: 850 mm (7FBR10.13.15.18, 7FBRS20.25)] [Height: 950 mm (7FBR30)] ● Load backrest (V and SV) [Height: 850 mm (7FBR20.25)] ● Operator Presence Sensing System (OPS) ● Easy-down system (V and SV mast) ● Digital multifunction display ● Traction & Brake Control (All models: Traction control, Front-assist brake system, Stable suspension control) ● Power select function ● Power keep function ● Electric horn ● Overhead guard ● Emergency unplug lever ● Electric power steering (EPS) ● Adjustable waist support with assist grip ● Arm pad

OPTIONS AVAILABILITY CHART

| Item | Model | | | 7FBR | 7FBR | 7FBR | 7FBR | 7FBR | 7FBR | 7FBR | 7FBR | 7FBR |
|--|--------------------------|----|--------|------|------|------|------|------|------|------|------|------|
| | Code | | | 10 | 13 | 15 | 18 | 20 | 25 | 30 | 20 | 25 |
| LOAD HANDLING | | | | | | | | | | | | |
| Wide Visible Mast (SV) | w. Backrest | ★ | M00C* | ● | ● | ● | ● | ● | ● | ● | ● | ● |
| Full-free Lift 2-stage Mast (FV) | w/o Backrest 1) | ★ | M00F* | ● | ● | ● | ● | ● | ● | ● | ● | ● |
| Full-free Lift 3-stage Mast (FSV) | w. Backrest | ★ | M00D* | ● | ● | ● | ● | ● | ● | ● | ● | ● |
| Fully Oil Charged Lift Cylinder | 2) | ☆☆ | M09A | ● | ● | ● | ● | ● | ● | ● | ● | ● |
| Long Forks | | ☆ | M20A* | ● | ● | ● | ● | ● | ● | ● | ● | ● |
| Bar Type Forks | 3) | | M31B | ● | ● | ● | ● | ● | ● | ○ | ● | ● |
| High Load Backrest (Flat Steel Type) | | ☆☆ | M40A* | ● | ● | ● | ● | ● | ● | ● | ● | ● |
| Reinforced High Load Backrest (Angle Shape Type) | 4) | ☆☆ | M40B* | ● | ● | ● | ● | ● | ● | ● | ● | ● |
| Long Backrest (Flat Steel Type) | 5) | ☆ | M42A* | ● | ● | ● | ● | ● | ● | ● | ● | ● |
| Reinforced Long Backrest (Angle Shape Type) | 6) | ☆ | M42B* | ● | ● | ● | ● | ● | ● | ● | ● | ● |
| w/o Backrest | | ★ | M40N | ● | ● | ● | ● | ● | ● | ● | ● | ● |
| High Load Backrest When Ordering FV Mast | | ★ | M41B | ● | ● | ● | ● | ● | ● | ● | ● | ● |
| Laser Marker | 7) | ★ | M67A | ● | ● | ● | ● | ● | ● | ● | ● | ● |
| BATTERY AND CONTROLLER | | | | | | | | | | | | |
| Battery (Wet Cell) | | ☆☆ | D00C* | ● | ● | ● | ● | ● | ● | ● | ● | ● |
| Battery (Dry Cell) | | ☆☆ | D00Q* | ● | ● | ● | ● | ● | ● | ● | ● | ● |
| Local Battery | | ☆ | D03C | ● | ● | ● | ● | ● | ● | ● | ● | ● |
| Spare Battery (Wet Cell) | | ★ | D20A | ● | ● | ● | ● | ● | ● | ● | ● | ● |
| Spare Battery (Dry Cell) | | ★ | D20J | ● | ● | ● | ● | ● | ● | ● | ● | ● |
| Battery Brand (GS Yuasa) | | ★ | D30A | ● | ● | ● | ● | ● | ● | ● | ● | ● |
| Battery Brand (Kobe) | | ★ | D30B | ● | ● | ● | ● | ● | ● | ● | ● | ● |
| Side Pull-out Battery | | ★ | D56D | ● | ● | ● | ● | ● | ● | ● | ● | ● |
| Battery Case | | ★ | D80B | ● | ● | ● | ● | ● | ● | ● | ● | ● |
| Battery Hanger | | | D46A | ● | ● | ● | ● | ● | ● | ● | ● | ● |
| Battery Stand | | | D45C | ● | ● | ● | ● | ● | ● | ● | ● | ● |
| Battery Carrier | w/o Height-adjust System | ★ | D45D | ● | ● | ● | ● | ● | ● | ● | ● | ● |
| Battery Carrier | w. Height-adjust System | ★ | D45F | ● | ● | ● | ● | ● | ● | ● | ● | ● |
| Battery Charger | On Truck Type | ☆☆ | C30E | ● | ● | ● | ● | ● | ● | ● | ● | ● |
| Battery Charger | Off Truck Type | ☆☆ | C30L/M | ● | ● | ● | ● | ● | ● | ● | ● | ● |
| Single Overall Electrolyte Filler Ports | | ★ | D40A | ● | ● | ● | ● | ● | ● | ● | ● | ● |
| LIGHT AND INDICATORS | | | | | | | | | | | | |
| Headlights | | ★ | J24A | ● | ● | ● | ● | ● | ● | ● | ● | ● |
| LED Headlight | | ★ | J24L | ● | ● | ● | ● | ● | ● | ● | ● | ● |
| Turn Signal Lights | | | J03A | ● | ● | ● | ● | ● | ● | ● | ● | ● |
| Rear Working Light | | | J26A | ● | ● | ● | ● | ● | ● | ● | ● | ● |
| Back-up Light | | | J23A | ● | ● | ● | ● | ● | ● | ● | ● | ● |
| Search Light | | ★ | J28A | ● | ● | ● | ● | ● | ● | ● | ● | ● |
| Reading Lamp | | ★ | J37A | ● | ● | ● | ● | ● | ● | ● | ● | ● |
| Yellow Beacon On The Overhead Guard | | ★ | J19A | ● | ● | ● | ● | ● | ● | ● | ● | ● |
| LED Yellow Beacon On The Overhead Guard | | ★ | J19S | ● | ● | ● | ● | ● | ● | ● | ● | ● |
| Forward Chime | | ★ | K22A | ● | ● | ● | ● | ● | ● | ● | ● | ● |
| Back-up Chime | | ★ | K21C | ● | ● | ● | ● | ● | ● | ● | ● | ● |
| Forward & Back-up Chime | | ★ | K21A | ● | ● | ● | ● | ● | ● | ● | ● | ● |
| Back-up Buzzer | | ★ | K21D | ● | ● | ● | ● | ● | ● | ● | ● | ● |
| Digital Multifunction Display (All Round Type) | 8) | ★ | L09B | ● | ● | ● | ● | ● | ● | ● | ● | ● |
| Digital Multifunction Display (All Round Type w/ Load Meter) | 8) | ★ | L09C | ● | ● | ● | ● | ● | ● | ● | ● | ● |

OPTIONS AVAILABILITY CHART

| Item | Model | | 7FBR 10 | 7FBR 13 | 7FBR 15 | 7FBR 18 | 7FBR 20 | 7FBR 25 | 7FBR 30 | 7FBRS 20 | 7FBRS 25 |
|---|---------------------------------------|--------|---------|---------|---------|---------|---------|---------|---------|----------|----------|
| | Code | | | | | | | | | | |
| BODY | | | | | | | | | | | |
| Multifunction Lever | 9) | ★ | E15A | | | ● | ● | | | | |
| Rear-view Mirror | Left Side | ★ | J10E | ● | ● | ● | ● | ● | ● | ● | ● |
| Oval Type | Right & Left Sides | ★ | J10F | ● | ● | ● | ● | ● | ● | ● | ● |
| Overhead Guard Sheet | | ★ | H01B | ● | ● | ● | ● | ● | ● | ● | ● |
| Resin Roof | | ★ | H01E | ● | ● | ● | ● | ● | ● | ● | ● |
| Rubber Bumper Rear | | ★ | K29A | ● | ● | ● | ● | | | | |
| Instrument Panel Guard (w/ Reinforced Left Hand Body) | | ★ | K58A | ● | ● | ● | ● | | | | |
| Reinforced Left Hand Body | | ★ | K58B | ● | ● | ● | ● | | | | |
| Operator Side Protector | | ★ | K59A | ● | ● | ● | ● | ● | ● | ● | ● |
| Hand Protector | | | K31A | ● | ● | ● | ● | | | | |
| Document Box w/ Magnet | | ★ | S04A | ● | ● | ● | ● | ● | ● | ● | ● |
| Storage Box w/ Cup Holder | | ★ | S05A | ● | ● | ● | ● | ● | ● | ● | ● |
| A4-size Binder w/ Magnet | | ★ | S06A | ● | ● | ● | ● | ● | ● | ● | ● |
| A4-size Binder w/ Clear Cover | | ★ | S06B | ● | ● | ● | ● | ● | ● | ● | ● |
| Name Plate | 10) | | S31A | ● | ● | ● | ● | ● | ● | ● | ● |
| OPS Decal | | | S35A | ● | ● | ● | ● | ● | ● | ● | ● |
| CHASSIS | | | | | | | | | | | |
| Bumper Type Sub-weight | 11) | ★ | G33B | ● | ● | ● | ● | ● | ● | ● | ● |
| Bumper Type Sub-weight (70 kg) | | ★ | G33C | ● | ● | ● | ● | | | | |
| WHEELS AND TIRES | | | | | | | | | | | |
| Drive Tire | Rubber Tire | 12)13) | ☆ | F92G | ○ | ○ | ○ | ○ | ○ | ○ | ○ |
| | White Rubber Tire | 12) | ☆ | F92C | ● | ● | ● | ● | ● | ● | ● |
| | Green Rubber Tire | 12) | ☆ | F92K | ● | ● | ● | ● | ● | ● | ● |
| | Rubber w/ Lug Tread Pattern Tire | 12) | ☆ | F92F | ● | ● | ● | ● | ● | ● | ● |
| | Urethane Tire | 12) | ☆ | F92A | ● | ● | ● | ● | ● | ● | ● |
| | Urethane w/ Wire Mesh Tire | 12) | ☆ | F92B | ● | ● | ● | ● | ● | ● | ● |
| | Urethane Tire (Long Life) | 12) | ☆ | F92L | ● | ● | ● | ● | ● | ● | ● |
| Load Tire | High-Grip Tire | 12) | ☆ | F92J | ● | ● | ● | ● | ● | ● | ● |
| | Rubber Tire | | ☆ | F93E | ○ | ○ | | | | | |
| | Wide Rubber Tire | | ☆ | F93G | ● | ● | ● | ● | | | |
| Caster | Urethane with Peripheral Grooves Tire | 14) | ☆ | F93D | ● | ● | ● | ● | ● | ● | ● |
| | Urethane Tire | | ☆ | F93C | ● | ● | ○ | ○ | ○ | ○ | ○ |
| | Rubber Tire | | ☆ | F91C | ○ | ○ | ○ | ○ | ○ | ○ | ○ |
| Caster | White Rubber Tire | | ☆ | F91B | ● | ● | ● | ● | | | |
| | Green Rubber Tire | | ☆ | F91E | ● | ● | ● | ● | | | |
| | Urethane Tire | | ☆ | F91A | ● | ● | ● | ● | ○ | ● | ● |
| SPECIAL MODELS | | | | | | | | | | | |
| China Certification Spec. | 15) | ★ | A10R | ● | ● | ● | ● | ● | ● | ● | ● |
| Australian Spec. | | ★ | A20B | ● | ● | ● | ● | ● | ● | ● | ● |
| Russian Spec. | | ★ | A20C | ● | ● | ● | ● | ● | ● | ● | ● |
| New Zealand Spec. | | ★ | A20O | ● | ● | ● | ● | ● | ● | ● | ● |
| Canadian Spec. | | ★ | A20P | ● | ● | ● | ● | ● | ● | ● | ● |
| China Spec. | | ★ | A20R | ● | ● | ● | ● | ● | ● | ● | ● |
| Unit Indication, mm/kg | | | A95B | ○ | ○ | ○ | ○ | ○ | ○ | ○ | ○ |
| Cold-storage Model (Type 45S) | 16) | ★ | B30E | ● | ● | ● | ● | ● | ● | ● | ● |
| Rust-proof Model | | ★ | B30H | ● | ● | ● | ● | ● | ● | ● | ● |
| Dust-proof Model | | ★ | B21A | ● | ● | ● | ● | | | | |
| Cold Area Package | | ★ | B01A | ● | ● | ● | ● | ● | ● | ● | ● |

NOTE:

- High Load Backrest is not equipped on FV mast. Must specify M41B when selecting High Load Backrest.
- Standard on FV mast and B30E (Not necessary to specify).
- When A4 piping is selected, bar-type forks are installed. Bar-type forks is standard for 2 ton series FV and FSV mast.
- Must enter together with M42B. Cannot be combined with E61, A331.
- Only 850 and 1070 backrest heights are available for 1370 and 1520 mm.
- Must enter together with M40B. Cannot be combined with E61, A331.
- Not available on V, SV mast at a maximum fork height 2700 mm or less. Not available on FSV mast at a maximum fork height 3700 mm or less. Not available on FV mast. Not available with A405, A450.
- Includes Wheel Indicator.

- Only E61 is available. Cannot be combined with FV Mast and E61.
- Available for English, Spanish, Chinese, French, and Taiwanese.
- 7FBR10.13.15.18 are 30kg. 7FBR20.25.30, 7FBRS20.25 are 85 kg.
- When B30E is selected, also select one of the eight types of available drive tires.
- Only available when selecting B30E (Standard on all other models).
- Standard on B30E (Not necessary to specify).
- Must specify A20R.
- Includes B01A (Not necessary to specify).
- Please see the "Matching Options".
- Please see the chart below for the items.

FULLY OIL CHARGED LIFT CYLINDER

| Model | Mast Type | |
|--|-----------|---|
| 7FBR10.13.15.18.20.25.30 7FBRS20.25 | V | ● |
| | SV | ● |
| | FV | ○ |
| | FSV | ● |

MAST INTERCHANGEABILITY

| Mast Type | Wide Visible Mast (V) | Wide Visible Mast (SV) | Wide Visible Full-Free Lift Two-Stage Mast (FV) | Wide Visible Full-Free Lift Three-Stage Mast (FSV) |
|-----------------|-----------------------|------------------------|---|--|
| 7FBR10.13.15.18 | ● | ● | ● | ● |
| 7FBR20.25 | ● | ● | ● | ● |
| 7FBR30 | ● | ● | | ● |
| 7FBRS20.25 | ● | ● | ● | ● |

NOTE: ● Mast may be interchanged with models within the same group.

MAST WEIGHT

| Mast Type | Maximum Fork Height | Model | | | | |
|-----------|---------------------|-----------|-----------|-----------|------------|--------|
| | | 7FBR10.13 | 7FBR15.18 | 7FBR20.25 | 7FBRS20.25 | 7FBR30 |
| | | kg | kg | kg | kg | kg |
| V | 2500 | 420 | 430 | 550 | — | 650 |
| | 2700 | 430 | 440 | 560 | — | 670 |
| | 3000 | 450 | 460 | 580 | — | 690 |
| | 3300 | 470 | 480 | 600 | — | 720 |
| | 3500 | 490 | 500 | 620 | 620 | 740 |
| | 3700 | 510 | 520 | 640 | 640 | 760 |
| | 4000 | 520 | 530 | 650 | 650 | 790 |
| | 4500 | 580 | 590 | 710 | 710 | 840 |
| | 5000 | 610 | 620 | 740 | 740 | 890 |
| SV | 2500 | 430 | 440 | 560 | — | 660 |
| | 2700 | 440 | 450 | 570 | — | 680 |
| | 3000 | 460 | 470 | 590 | — | 700 |
| | 3300 | 480 | 490 | 610 | — | 730 |
| | 3500 | 500 | 510 | 630 | 630 | 750 |
| | 3700 | 520 | 530 | 650 | 650 | 770 |
| | 4000 | 530 | 540 | 660 | 660 | 800 |
| | 4500 | 590 | 600 | 720 | 720 | 850 |
| | 5000 | 620 | 630 | 750 | 750 | 900 |
| FV | 2500 | 460 | 470 | — | — | — |
| | 2700 | 470 | 480 | — | — | — |
| | 3000 | 490 | 500 | 620 | — | — |
| | 3300 | 510 | 520 | 640 | — | — |
| | 3500 | 520 | 530 | 660 | 650 | — |
| | 3700 | 530 | 540 | 670 | 660 | — |
| | 4000 | 550 | 560 | 690 | 680 | — |
| FSV | 3700 | 650 | 660 | — | — | — |
| | 4000 | 670 | 680 | — | — | — |
| | 4300 | 690 | 700 | — | 910 | 1020 |
| | 4500 | 700 | 710 | — | 930 | 1040 |
| | 4700 | 710 | 720 | — | 950 | 1060 |
| | 5000 | 730 | 740 | — | 980 | 1090 |
| | 5500 | 760 | 770 | — | 1020 | 1170 |
| | 6000 | 820 | 830 | — | 1090 | 1220 |

CAUTION:
The figures are without load backrest and forks.
The figures presented in this chart have been rounded off to the nearest number.
Use caution when applying them to specific products.

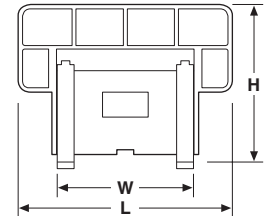
LONG FORKS

| Model | Length | Width | Thickness | Unit: mm | |
|-------------------|--------|-------|-----------|------------|--|
| | | | | Long Forks | |
| 7FBR10 | 770 | 100 | 30 | ○ | |
| | 850 | | | ● | |
| | 920 | | | ● | |
| | 1070 | | | ● | |
| | 1220 | | | ●* | |
| 7FBR13 | 850 | 100 | 30 | ○ | |
| | 920 | | | ● | |
| | 1070 | | | ● | |
| | 1220 | | | ●* | |
| 7FBR15 | 850 | 100 | 35 | ○ | |
| | 920 | | | ● | |
| | 1070 | | | ● | |
| | 1220 | | | ● | |
| 7FBR18 | 850 | 100 | 35 | ○ | |
| | 920 | | | ● | |
| | 1070 | | | ● | |
| | 1220 | | | ● | |
| 7FBR20 7FBRS20 | 920 | 122 | 38 | ○ | |
| | 1070 | | | ● | |
| | 1220 | | | ● | |
| | 1370 | | | ● | |
| | 1520 | | | ● | |
| 7FBR25 7FBRS25 | 920 | 122 | 42 | ○ | |
| | 1070 | | | ● | |
| | 1220 | | | ● | |
| | 1370 | | | ● | |
| | 1520 | | | ● | |
| 7FBR30 | 1070 | 122 | 45 | ○ | |
| | 1220 | | | ● | |
| | 1370 | | | ● | |
| | 1520 | | | ● | |

NOTE: * Fork thickness is 35 mm.

LONG BACKREST AND HIGH LOAD BACKREST

| Flat Steel Type | | Unit: mm | | |
|-----------------|-----------------|----------|------|--|
| Model | 7FBR10.13.15.18 | | | |
| L | 1020 | 1370 | 1520 | |
| H | 730 | 730 | 730 | |
| W | 730 | 730 | 730 | |
| 850 | ○ | ● | ● | |
| 1070 | ● | ● | ● | |
| 1220 | ● | | | |
| 1370 | ● | | | |
| 1520 | ● | | | |



L: Outside width of load backrest
W: Length of forkbar
H: Height of load backrest

| Flat Steel Type | | Unit: mm | |
|-----------------|-------------------------|----------|--|
| Model | 7FBR20.25 7FBRS20.25 | | |
| L | 1160 | | |
| H | 780 | | |
| W | 780 | | |
| 850 | ○ | | |
| 1000 | ● | | |
| 1100 | ● | | |
| 1200 | ● | | |
| 1300 | ● | | |
| 1400 | ●* | | |
| 1500 | ●* | | |

| Flat Steel Type | | Unit: mm | |
|-----------------|--------|----------|--|
| Model | 7FBR30 | | |
| L | 1160 | | |
| H | 780 | | |
| W | 780 | | |
| 950 | ○ | | |
| 1100 | ● | | |
| 1200 | ● | | |
| 1300 | ● | | |
| 1400 | ●* | | |
| 1500 | ●* | | |
| 1600 | ●* | | |

NOTE: * The "Tilt Range (BWD)" is 4°.

Reinforced High Load Backrest (Angle Shape Type)

| Unit: mm | |
|----------|-----------------|
| Model | 7FBR10.13.15.18 |
| L | 950 1020 |
| H | 730 730 |
| W | 730 730 |
| 1150 | ● |
| 1250 | ● |

NOTE:
When B30E is selected on the 7FBR20.25.30, 7FBRS20.25, angle shape type backrest is equipped.

AVAILABILITY OF BATTERY CHARGER**Off-Truck Type (GS YUASA)**

| Battery Voltage V | Battery Capacity AH/5HR | AC Input Voltage V | AC Power Supply Capacity A | | kVA of Charger | | 7FBR10 | 7FBR13 | 7FBR15 | 7FBR18 | 7FBR20 | 7FBRS 20 | 7FBR25 | 7FBRS 25 | 7FBR30 | |
|----------------------|----------------------------|-----------------------|-------------------------------|------|----------------|------|--------|--------|--------|--------|--------|----------|--------|----------|--------|---|
| | | | 50Hz | 60Hz | 50Hz | 60Hz | | | | | | | | | | |
| 48 | 201-225 | 200 | 15 | 15 | 4.3 | 3.8 | ● | ● | | | | | | | | |
| | 280-320 | 200 | 20 | 20 | 5.4 | 4.7 | | | ● | ● | ● | ● | ● | | | |
| | 370-445 | 200 | 30 | 20 | 7.3 | 6.5 | | | ● | ● | ● | ● | ● | | | |
| | 201-225 | 400 | 10 | 10 | 4.3 | 3.8 | ● | ● | | | | | | | | ● |
| | 280-320 | 400 | 10 | 10 | 5.4 | 4.7 | | | ● | ● | ● | ● | ● | | | |
| | 370-445 | 400 | 15 | 10 | 7.3 | 6.5 | | | ● | ● | ● | ● | ● | ● | ● | ● |

NOTE: 1. The indicated input voltage means the available range of three-phase AC input voltages applied to the battery charger: 200V denotes the range of 200 to 230V and 400V the range of 340 to 460V, respectively.
2. In AC power sources where there is appreciable variance between the rated and the measured line voltage values, be sure to measure actual input voltage to a battery charger and then order it with correct power requirements for operation. Usually re-charging is done at night when incoming voltage is relatively high without line voltage drops, and it is a good practice, therefore, to measure the line voltage at night.

On-Truck Type

| Battery Voltage V | Battery Capacity AH/5HR | AC Input Voltage V | AC Power Supply Capacity A | | kVA of Charger | | 7FBR10 | 7FBR13 | 7FBR15 | 7FBR18 | 7FBR20 | 7FBRS 20 | 7FBR25 | 7FBRS 25 | 7FBR30 | |
|----------------------|----------------------------|-----------------------|-------------------------------|------|----------------|------|--------|--------|--------|--------|--------|----------|--------|----------|--------|---|
| | | | 50Hz | 60Hz | 50Hz | 60Hz | | | | | | | | | | |
| 48 | 201-225 | 200 | 10 | 10 | 2.7 | 2.7 | ● | ● | | | | | | | | |
| | 280-312 | 200 | 15 | 15 | 3.6 | 3.6 | | | ● | ● | | | | | | |
| | 370 | 200 | 15 | 15 | 4.5 | 4.5 | | | ● | ● | | | | | | |
| | 312-320 | 200 | 15 | 15 | 3.6 | 3.6 | | | | | ● | ● | ● | | | |
| | 390-445 | 200 | 20 | 20 | 5.2 | 5.2 | | | | | ● | ● | ● | ● | ● | ● |

NOTE: The indicated input voltage means the available range of three-phase AC input voltages applied to the battery charger: 200V denotes the range of 200 to 230V.

BATTERY AVAILABILITY (GS YUASA, KOBE)

| Model | V | Battery | |
|----------------------|----|---------------|---|
| | | AH/HR | |
| 7FBR10.13 | 48 | 201/5 * | ● |
| | | 225/5 | ● |
| | | 280/5 * | ● |
| 7FBR15.18 | 48 | 312/5 | ● |
| | | 370/5 | ● |
| | | 320/5 | ● |
| 7FBR20.25 7FBRS20 | 48 | 390/5 | ● |
| | | 445/5 (435/5) | ● |
| | | 390/5 | ● |
| 7FBRS25 | 48 | 445/5 (435/5) | ● |
| | | 445/5 (435/5) | ● |
| 7FBR30 | 48 | 445/5 (435/5) | ● |

NOTE: * Dry battery available.
() for KOBE make battery.

TIRE AVAILABILITY

| Model | Tire Arrangement | Tire Size | Solid Cushion Tire | | | | | | | | | | | | |
|-------------------------|------------------|-----------|--------------------|--------------|-------------|--------------|-------------------------------|----------|----------------------------------|-------------------------|----------------------|------------------|---|---|--|
| | | | Rubber | White Rubber | Wide Rubber | Green Rubber | Rubber with Lug Tread Pattern | Urethane | Urethane with Peripheral Grooves | Urethane with Wire Mesh | Urethane (Long Life) | High-Grip Rubber | | | |
| 7FBR10.13 | Load | 260x120 | ○ | | | | | | | | | | | | |
| | | 257x152 | | | ● | | | | | | | | | | |
| | | 254x120 | | | | | | | ● | ● | | | | | |
| | Drive | 330x145 | ○ | ● | | ● | ● | ● | ● | | ● | ● | | ● | |
| Caster | 150x80 | ○ | ● | | ● | | ● | | | | | | | | |
| 7FBR15.18 | Load | 254x120 | | | | | | | ○ | ● | | | | | |
| | | 257x152 | | | ● | | | | | | | | | | |
| | Drive | 330x145 | ○ | ● | | ● | ● | ● | ● | | ● | ● | | ● | |
| Caster | 150x80 | ○ | ● | | ● | | ● | | | | | | | | |
| 7FBR20.25 7FBRS20.25 | Load | 267x127 | | | | | | | ○ | ● | | | | | |
| | | 380x145 | ○ | ● | | ● | ● | | | | | | | | |
| | | 370x145 | | | | | | | ● | | ● | ● | | | |
| | Caster | 383x164 | | | | | | | | | | | ● | | |
| | | 204x76 | ○ | | | | | | ● | | | | | | |
| 7FBR30 | Load | 267x150 | | | | | | | ○ | ● | | | | | |
| | | 380x145 | ○ | ● | | ● | ● | | | | | | | | |
| | | 370x145 | | | | | | | ● | | ● | ● | | | |
| | Caster | 383x164 | | | | | | | | | | | ● | | |
| | | 204x76 | ○ | | | | | | | | | | | | |

SPECIFICATIONS OF BATTERY AND BATTERY CASE

The "minimum weight of battery with case" indicated in the table is the lightest weight of the battery required to satisfy stability requirements of the vehicle in which it is installed.

Specifications (GS YUASA)

| Model | | 7FBR10 | | 7FBR13 | | 7FBR15 | | | 7FBR18 | | | | |
|-------------------------------------|-----------------------|------------------|---------------------------|--------|---------------------------|--------|---------------------------|-------|--------|---------------------------|-------|-------|-----|
| Vehicle Weight without Battery | | kg | 1680 | | 1700 | | 1730 | | 1810 | | | | |
| Minimum Weight of Battery with Case | | kg | 350 | | 350 | | 465 | | 465 | | | | |
| Dimensions of Battery Compartment | Width | mm | 1007 | | 1007 | | 1007 | | 1007 | | | | |
| | Length | mm | 266 | | 266 | | 376 | | 376 | | | | |
| | Height | mm | 570 | | 570 | | 570 | | 570 | | | | |
| Battery Connector Type | | | Anderson SB175A (2 Prong) | | Anderson SB175A (2 Prong) | | Anderson SB175A (2 Prong) | | | Anderson SB175A (2 Prong) | | | |
| Truck Voltage | | V | 48 | | 48 | | 48 | | | 48 | | | |
| Number of Cells | | pcs | 24 | | 24 | | 24 | | | 24 | | | |
| Ampere-Hour Capacity | | AH/HR | 201/5 | 225/5 | 201/5 | 225/5 | 280/5 | 312/5 | 370/5 | 280/5 | 312/5 | 370/5 | |
| Specs. of Cell | Overall Dimensions | Total Height | mm | 521 | 550 | 521 | 550 | 521 | 550 | 550 | 521 | 550 | 550 |
| | | Container Height | mm | 490 | 519 | 490 | 519 | 490 | 519 | 519 | 490 | 519 | 519 |
| | | Length | mm | 60 | 60 | 60 | 60 | 90 | 90 | 90 | 90 | 90 | 90 |
| | | Width | mm | 158 | 158 | 158 | 158 | 158 | 158 | 158 | 158 | 158 | 158 |
| | Weight of Filled Cell | Approx. kg | 12.0 | 12.5 | 12.0 | 12.5 | 16.5 | 19.0 | 21.0 | 16.5 | 19.0 | 21.0 | |
| Quantity of Electrolyte | | Approx. liter | 2.4 | 2.5 | 2.4 | 2.5 | 3.9 | 4.0 | 4.1 | 3.9 | 4.0 | 4.1 | |
| Weight | Case | kg | 41 | 41 | 41 | 41 | 49 | 49 | 49 | 49 | 49 | 49 | |
| | Total (Battery) | kg | 350 | 350 | 350 | 350 | 465 | 512 | 560 | 465 | 512 | 560 | |
| Operating Time (S mode) | | | 3h25m | 3h35m | 2h50m | 3h20m | 4h20m | 5h00m | 6h05m | 4h05m | 4h40m | 5h45m | |

Dimensions of Battery Case

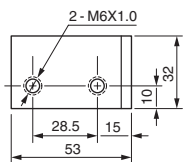
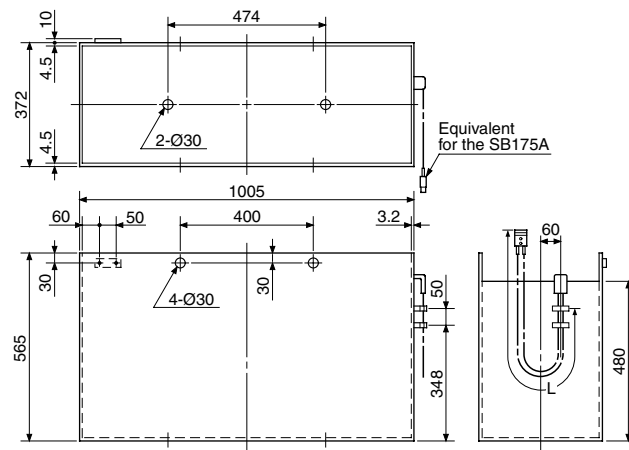
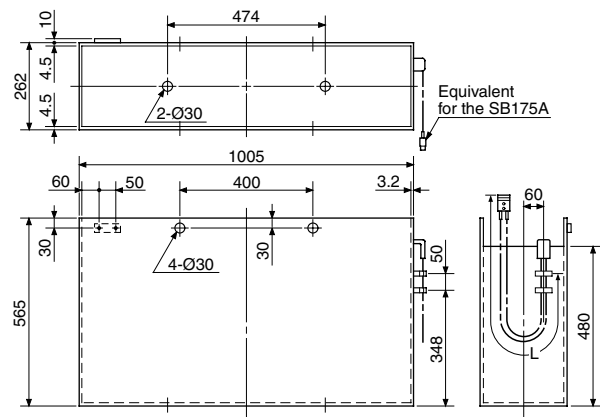
7FBR10.13

BATTERY CAPACITY : 201AH/5HR, 48V
225AH/5HR, 48V

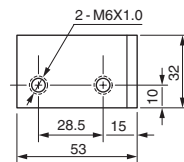
7FBR15.18

BATTERY CAPACITY : 280AH/5HR, 48V
312AH/5HR, 48V
370AH/5HR, 48V

Unit: mm



BATTERY CONNECTOR BRACKET



BATTERY CONNECTOR BRACKET

| | Connector Length (L) | |
|----------------|----------------------|-----------|
| | 7FBR10.13 | 7FBR15.18 |
| Positive Cable | 1120 | 1140 |
| Negative Cable | 1200 | 1220 |

SPECIFICATIONS OF BATTERY AND BATTERY CASE

The "minimum weight of battery with case" indicated in the table is the lightest weight of the battery required to satisfy stability requirements of the vehicle in which it is installed.

Specifications (GS YUASA)

| Model | | 7FBR20 | | | 7FBRS20 | | | 7FBR25 | | | 7FBRS25 | | 7FBR30 | |
|-------------------------------------|-----------------------|------------------|---------------------------|-------|---------|---------------------------|-------|--------|---------------------------|-------|---------|---------------------------|--------|-------|
| Vehicle Weight without Battery | | kg | 1880 | | | 2310 | | | 2270 | | | 2335 | 2540 | |
| Minimum Weight of Battery with Case | | kg | 590 | | | 590 | | | 590 | | | 685 | 710 | |
| Dimensions of Battery Compartment | Width | mm | 1152 | | | 1152 | | | 1152 | | | 1152 | 1152 | |
| | Length | mm | 407 | | | 407 | | | 407 | | | 407 | 407 | |
| | Height | mm | 575 | | | 575 | | | 575 | | | 575 | 575 | |
| Battery Connector Type | | | Anderson SB175A (2 Prong) | | | Anderson SB175A (2 Prong) | | | Anderson SB175A (2 Prong) | | | Anderson SB175A (2 Prong) | | |
| Truck Voltage | | V | 48 | | | 48 | | | 48 | | | 48 | 48 | |
| Number of Cells | | pcs | 24 | | | 24 | | | 24 | | | 24 | 24 | |
| Ampere-Hour Capacity | | AH/HR | 320/5 | 390/5 | 445/5 | 320/5 | 390/5 | 445/5 | 320/5 | 390/5 | 445/5 | 390/5 | 445/5 | 445/5 |
| Specs. of Cell | Overall Dimensions | Total Height | mm | 521 | 521 | 521 | 521 | 521 | 521 | 521 | 521 | 521 | 521 | 521 |
| | | Container Height | mm | 490 | 490 | 490 | 490 | 490 | 490 | 490 | 490 | 490 | 490 | 490 |
| | | Length | mm | 99 | 109 | 109 | 99 | 109 | 109 | 99 | 109 | 109 | 109 | 109 |
| | | Width | mm | 158 | 158 | 158 | 158 | 158 | 158 | 158 | 158 | 158 | 158 | 158 |
| | Weight of Filled Cell | Approx. kg | 19.0 | 22.0 | 24.0 | 19.0 | 22.0 | 24.0 | 19.0 | 22.0 | 24.0 | 22.0 | 24.0 | 24.0 |
| Quantity of Electrolyte | | Approx. liter | 4.0 | 4.5 | 4.8 | 4.0 | 4.5 | 4.8 | 4.0 | 4.5 | 4.8 | 4.5 | 4.8 | 4.8 |
| Weight | Case | kg | 102 | 102 | 102 | 102 | 102 | 102 | 102 | 102 | 102 | 102 | 102 | 102 |
| | Total (Battery) | kg | 590 | 655 | 700 | 590 | 655 | 700 | 590 | 655 | 700 | 655 | 700 | 700 |
| Operating Time (S mode) | | | 3h50m | 4h25m | 5h25m | 3h50m | 4h25m | 5h25m | 3h40m | 4h30m | 5h15m | 4h30m | 5h15m | 5h00m |

Dimensions of Battery Case

7FBR20.25.30, 7FBRS20.25

BATTERY CAPACITY : 320AH/5HR, 48V

390AH/5HR, 48V

435AH/5HR, 48V

Unit: mm

